

3740 RB

SPECIFICATIONS

Engine

Isuzu AQ-4HK1X Final Tier 4 turbocharged diesel engine with electronic control (ECM) and high pressure common-rail fuel injection, 4-cylinder, water-cooled, Cooled Exhaust Gas Recirculation (CEGR), Intercooler, Variable-Geometry Turbocharger (VGT), Diesel Oxidation Catalyst (DOC) and Selective Catalytic Reduction (SCR) system with Dosing Control Module (DCM) and heated DEF lines.

Electronic fuel pump and priming, Fuel cooler, Auto-idle start, Auto warm-up, EPF engine protection, dual-stage fuel filtration, remote oil filter, engine oil sample port, green plug oil drain, double element air filter.

SAE J 1349 net hp 177 HP (132 kW) @ 2,000 rpm
 Displacement 5.2 L
 Maximum torque 458 bf-ft (621 N-m) @ 1,800 rpm
 Starter 24V-5.0kW
 Alternator 85 amp
 Battery (2) 12-volt 92 amp hours

Cab and Controls

Oregon OSHA/ROPS/WCB compliant side-entry forestry cab, 12" riser, SCM high-back air-suspension seat, Control panel with illuminated soft-touch switches, LCD monitor, Low-effort controls pre-wired for auxiliary hydraulics, Sliding 4-position tilting control consoles, Climate control, Sky roof, Single motor dual arm intermittent/continuous windshield wiper with washer, Single pedal travel, Travel alarm, Footrests, Cup holder, 12-volt outlet, Digital clock, 24-volt cigarette lighter, Ashtray, Dome lights, Coat hook, High output dual horns, Handrails with deflector, Floor mat, Emergency exit.

Three selectable working modes, RemoteCARE GPS system, Anti-theft password protection system, On-board self-diagnostic system with memory, Auto-idling system, One-touch decelerator, Auto power boost, Gate lock safety shutoff.

Hydraulic System

Open-center system, (2) variable displacement axial piston pumps, (1) gear pump for pilot controls, (1) gear pump/valve for grapple rotate, Dedicated and proprietary main control valve tuned for enhanced performance with one 4-spool valve and one 5-spool valve with auxiliary spool, Programmable auxiliary pump settings with single or double pump control, Double-acting auxiliary hydraulics and rotate circuits, Processor return line fitting, Oil cooler, O-ring face seals, High-performance 6-micron return filter, Firewall.

Hydraulic Pumps

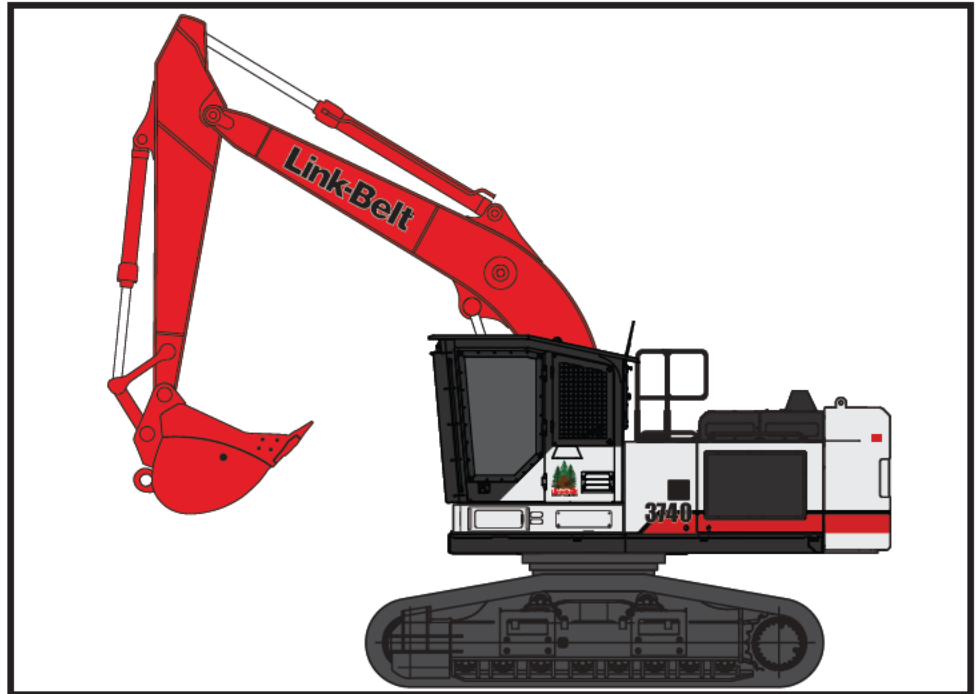
Maximum flow 2 x 62 gpm (2 x 234 l/min)
 Pilot pump maximum flow 5.3 gpm (20 l/min)
 Auxiliary pump maximum flow ... 9.7 gpm (36.8 l/min)

Relief Valve Settings

Boom/arm/bucket 4,970 psi (343 bar)
 Swing circuit 4,410 psi (304 bar)
 Travel 4,970 psi (343 bar)

Hydraulic Oil Filtration

Return filter 6 micron
 Pilot filter 8 micron
 Suction screen 105 micron



Swing

Planetary reduction powered by axial piston motor. Internal ring gear with grease cavity for swing pinion. Swing bearing is single-row shear type ball bearing. Mechanical disc swing brake. Auto power swing. Free swing control.

Swing speed 0 - 8.8 rpm
 Tail swing 10' 8" (3.25 m)
 Swing torque 77,000 bf-ft. (104 kN•m)

Undercarriage

High-wide / High-narrow track gauge with x-pattern carbody, Full-length track guards (2 piece, bolt-on), Sealed and strutted track chain, Sealed rollers and idlers, Idler mount reinforcement, Two-speed independent hydrostatic travel with compact planetary final drive, HD travel motor covers, Disc type brakes, Adjustable track tension, HD swivel guard - hinged.

Carrier rollers 2 per side
 Track rollers 8 per side
 Track link pitch 8.50" (216 mm)
 Shoes 47 per side
 Shoe width 27.5" (700 mm)
 Ground Pressure (less cab) 8.59 psi (0.059 MPa)

Lubricant and Coolant Capacity

Fuel tank 216 gal. (820 liters)
 Hydraulic tank 39 gal. (147 liters)
 Hydraulic system 66 gal. (250 liters)
 Final drive (per side) 2.1 gal. (8.0 liters)
 Swing drive 1.1 gal. (4.2 liters)
 Engine oil 6.1 gal. (23.1 liters)
 DEF Tank 31.7 gal. (120.0 liters)
 Cooling system 8.3 gal. (31.4 liters)

Travel System

Two-speed independent hydrostatic travel with compact axial piston motors. Hydraulic motor powered output shaft coupled to a planetary reduction unit and track sprocket. All hydraulic components mounted within the width of side frame. Automatic downshift. Single pedal travel. Spring applied, hydraulically released disc parking brake built into each motor. Each travel motor equipped with counterbalance valve to prevent overspeeding down an incline.

Max. travel speed 1.6 - 2.7 mph (2.6 - 4.4 km/h)
 Drawbar pull 58,000 lbf (258 kN)
 Gradeability 70% (35°)

Road Builder Attachment

Boom 19' 2" (5.85 m)
 Arm 9' 10" (3.00 m)

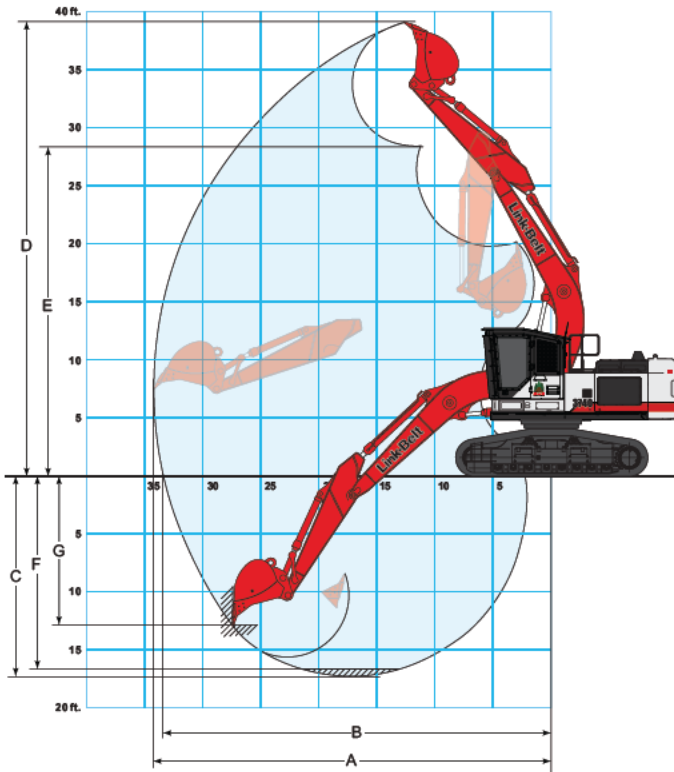
Operating Weight

Working weight with side-entry forestry cab, 12" (305 mm) cab riser, Road Builder attachment, high-wide undercarriage, 27.5" (700 mm) 2-bar shoes - Less bucket

High-wide undercarriage 79,236 lbs (35 941 kg)
 High-narrow undercarriage 79,236 bs (35 941 kg)

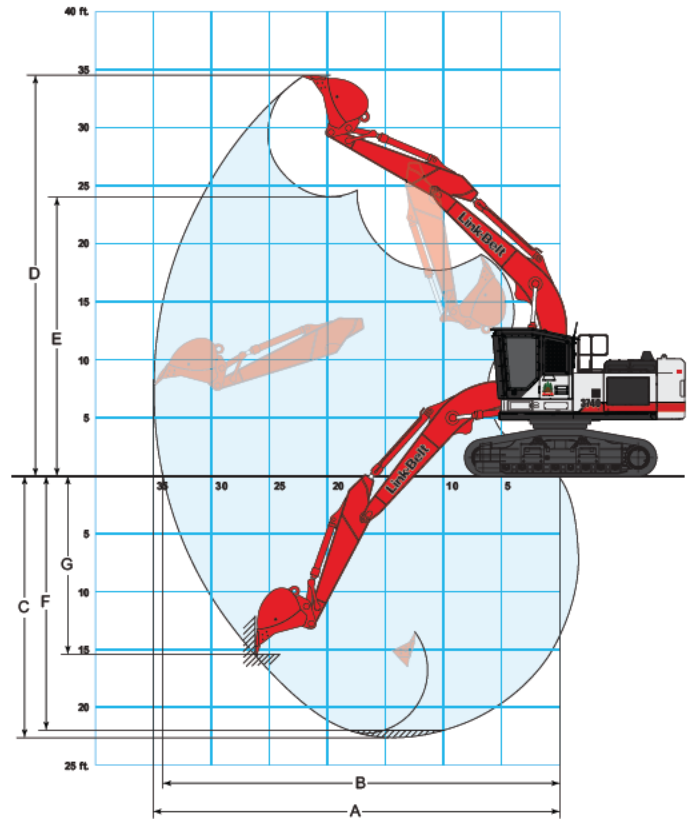
3740 RB Specifications

Working Ranges



Boom Cylinders in High-Lift Position

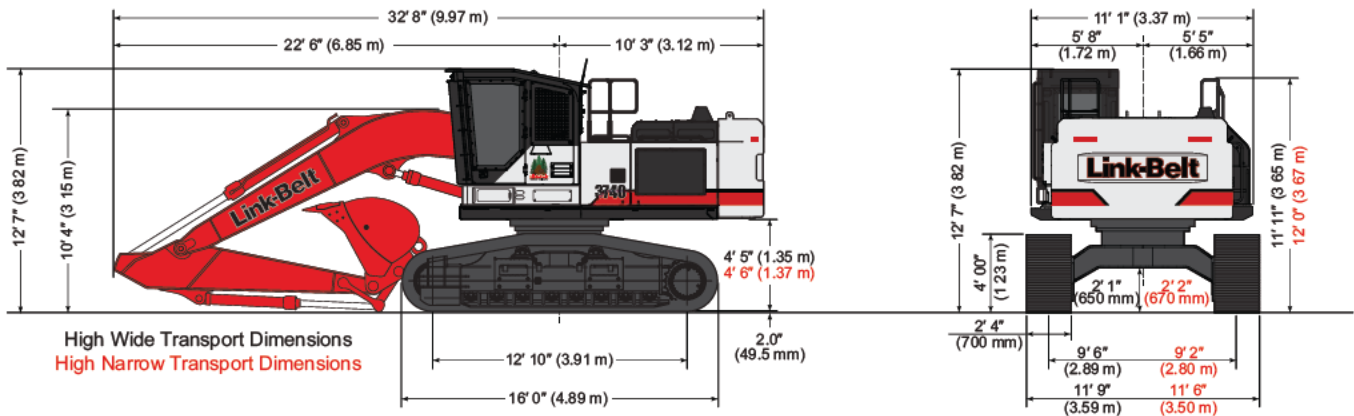
Machine Equipped with 19' 2" (5.85 m) Boom, 9' 10" (3.00 m) Arm	High Wide Undercarriage	High Narrow Undercarriage
A. Maximum reach	33' 10" (10.30 m)	33' 10" (10.30 m)
B. Maximum reach @ ground level	33' 0" (10.06 m)	33' 0" (10.06 m)
C. Maximum dig depth	17' 2" (5.24 m)	17' 1" (5.22 m)
D. Maximum dig height	38' 2" (11.64 m)	38' 3" (11.66 m)
E. Maximum dump height	27' 10" (8.49 m)	27' 11" (8.51 m)
F. Digging depth 8' (2.44 m) level bottom	16' 8" (5.08 m)	16' 7" (5.06 m)
G. Maximum vertical wall depth	12' 11" (3.93 m)	12' 10" (3.91 m)



Boom Cylinders in Standard Position

Machine Equipped with 19' 2" (5.85 m) Boom, 9' 10" (3.00 m) Arm	High Wide Undercarriage	High Narrow Undercarriage
A. Maximum reach	33' 10" (10.30 m)	33' 10" (10.30 m)
B. Maximum reach @ ground level	33' 0" (10.06 m)	33' 0" (10.06 m)
C. Maximum dig depth	21' 9" (6.63 m)	21' 8" (6.62 m)
D. Maximum dig height	32' 11" (10.05 m)	33' 0" (10.06 m)
E. Maximum dump height	23' 6" (7.17 m)	23' 7" (7.19 m)
F. Digging depth 8' (2.44 m) level bottom	21' 3" (6.47 m)	21' 2" (6.45 m)
G. Maximum vertical wall depth	14' 11" (4.54 m)	14' 10" (4.53 m)

Travel Dimensions



Notes: Lifting capacities

- Lifting capacities shown should not be exceeded. Weight of all lifting accessories must be deducted from the above lifting capacities. Lifting capacities for Log Loader attachment include a heel rack, but not grapple. Addition of grapple weight must be deducted from lift capacities.
- Lifting capacities are based on machine standing on firm, uniform supporting surface. User must make allowances for job conditions such as soft or uneven ground.
- Lifting capacities shown do not exceed 75% of minimum tipping loads or 87% of hydraulic capacities. Capacities marked with an asterisk (*) are limited by hydraulic capacities.
- Least stable position is over the side.
- Operator should be fully acquainted with the Operator's Manual & Operating Safety Booklet, furnished by LBX before operating the machine.
- Capacities apply only to the machine as originally manufactured and normally equipped by LBX Company LLC.

3740 RB Specifications

Lifting Capacities

Radius of Load															
9' 10" (3.00 m) Arm with 19' 2" (5.85 m) Boom in Standard Position and 2,110 lb. (957 kg) Bucket - High Wide Undercarriage															
End Side	5' 0" (1.5 m)		10' 0" (3.0 m)		15' 0" (4.5 m)		20' 0" (6.0 m)		25' 0" (7.5 m)		30' 0" (9.0 m)		Cap at Max. Reach		
	End	Side	End	Side	End	Side	End	Side	End	Side	End	Side	End	Side	
+30' 0" (9.0 m)	lbs													4,850*	4,850*
	kg													2,170*	2,170*
+25' 0" (7.5 m)	lbs								8,700*	8,700*				4,400*	4,400*
	kg								3,970*	3,970*				1,980*	1,980*
+20' 0" (6.0 m)	lbs								9,450*	9,450*	6,100*	6,100*	4,200*	4,200*	
	kg								4,380*	4,380*	3,290*	3,290*	1,910*	1,910*	
+15' 0" (4.5 m)	lbs					15,400*	15,400*	12,650*	12,650*	10,850*	10,850*	9,000*	9,000*	4,200*	4,200*
	kg					7,340*	7,340*	5,850*	5,850*	5,010*	5,010*	4,390*	4,390*	1,910*	1,910*
+10' 0" (3.0 m)	lbs			27,300*	27,300*	20,550*	20,550*	15,100*	15,100*	12,300*	12,300*	10,600*	10,600*	4,350*	4,350*
	kg			12,770*	12,770*	9,540*	9,540*	7,000*	7,000*	5,680*	5,680*	4,880*	4,880*	1,980*	1,980*
+5' 0" (1.5 m)	lbs			18,500*	18,500*	24,150*	24,150*	17,150*	17,150*	13,500*	13,500*	11,200*	11,200*	4,700*	4,700*
	kg			7,930*	7,930*	11,190*	11,190*	11,190*	11,190*	7,940*	7,940*	6,230*	6,230*	2,140*	2,140*
Ground Line	lbs	10,100*	10,100*	19,150*	19,150*	25,700*	25,700*	18,300*	18,300*	14,100*	14,100*	9,600*	9,600*	5,300*	5,300*
	kg	4,550*	4,550*	8,450*	8,450*	11,880*	11,880*	8,450*	8,450*	6,520*	6,520*	5,090*	5,090*	2,410*	2,410*
-5' 0" (1.5 m)	lbs	16,350*	16,350*	24,950*	24,950*	25,650*	25,650*	18,450*	18,450*	14,150*	14,150*			6,550*	6,550*
	kg	7,350*	7,350*	11,030*	11,030*	11,840*	11,840*	8,530*	8,530*	6,540*	6,540*			2,970*	2,970*
-10' 0" (3.0 m)	lbs	22,950*	22,950*	34,600*	34,600*	24,550*	24,550*	17,850*	17,850*	13,250*	13,250*			8,300*	8,300*
	kg	10,260*	10,260*	15,320*	15,320*	11,350*	11,350*	8,260*	8,260*	6,190*	6,190*			3,740*	3,740*
-15' 0" (4.5 m)	lbs	33,000*	33,000*	30,750*	30,750*	21,200*	21,200*	15,000*	15,000*					11,850*	11,850*
	kg	14,630*	14,630*	14,310*	14,310*	9,880*	9,880*	7,060*	7,060*					5,310*	5,310*

Radius of Load															
9' 10" (3.00 m) Arm with 19' 2" (5.85 m) Boom in High Lift Position and 2,110 lb. (957 kg) Bucket - High Wide Undercarriage															
End Side	5' 0" (1.5 m)		10' 0" (3.0 m)		15' 0" (4.5 m)		20' 0" (6.0 m)		25' 0" (7.5 m)		30' 0" (9.0 m)		Cap at Max. Reach		
	End	Side	End	Side	End	Side	End	Side	End	Side	End	Side	End	Side	
+30' 0" (9.0 m)	lbs							8,100*	8,100*					4,850*	4,850*
	kg							3,770*	3,770*					2,170*	2,170*
+25' 0" (7.5 m)	lbs							9,750*	9,750*	8,700*	8,700*			4,400*	4,400*
	kg							4,020*	4,020*	4,100*	4,100*			1,980*	1,980*
+20' 0" (6.0 m)	lbs							11,950*	11,950*	10,350*	10,350*	6,100*	6,100*	4,200*	4,200*
	kg							5,530*	5,530*	4,770*	4,770*	3,290*	3,290*	1,910*	1,910*
+15' 0" (4.5 m)	lbs					17,300*	17,300*	14,600*	14,600*	12,750*	12,750*	9,000*	9,000*	4,200*	4,200*
	kg					8,120*	8,120*	6,730*	6,730*	5,940*	5,940*	4,390*	4,390*	1,910*	1,910*
+10' 0" (3.0 m)	lbs			33,350*	33,350*	23,500*	23,500*	17,300*	17,300*	13,800*	13,800*	10,750*	10,750*	4,350*	4,350*
	kg			15,500*	15,500*	10,900*	10,900*	8,000*	8,000*	6,370*	6,370*	5,220*	5,220*	1,980*	1,980*
+5' 0" (1.5 m)	lbs			18,500*	18,500*	25,850*	25,850*	18,500*	18,500*	14,300*	14,300*	11,400*	11,400*	4,700*	4,700*
	kg			7,930*	7,930*	11,950*	11,950*	8,540*	8,540*	6,610*	6,610*	5,280*	5,280*	2,140*	2,140*
Ground Line	lbs	10,100*	10,100*	19,150*	19,150*	25,950*	25,950*	18,650*	18,650*	14,300*	14,300*	9,600*	9,600*	5,300*	5,300*
	kg	4,550*	4,550*	8,450*	8,450*	11,980*	11,980*	8,630*	8,630*	6,610*	6,610*	5,020*	5,020*	2,410*	2,410*
-5' 0" (1.5 m)	lbs	16,350*	16,350*	24,950*	24,950*	24,800*	24,800*	18,100*	18,100*	13,600*	13,600*			6,550*	6,550*
	kg	7,350*	7,350*	11,030*	11,030*	11,450*	11,450*	8,370*	8,370*	6,330*	6,330*			2,970*	2,970*
-10' 0" (3.0 m)	lbs	22,950*	22,950*	30,100*	30,100*	21,600*	21,600*	15,850*	15,850*	11,100*	11,100*			8,300*	8,300*
	kg	10,260*	10,260*	13,910*	13,910*	10,010*	10,010*	7,380*	7,380*	5,280*	5,280*			3,740*	3,740*
-15' 0" (4.5 m)	lbs			20,600*	20,600*	15,450*	15,450*	10,600*	10,600*					7,250*	7,250*
	kg			9,670*	9,670*	7,290*	7,290*	5,120*	5,120*					3,350*	3,350*

Bucket Sizes

High-Narrow Undercarriage							
Bucket Type	SAE Heaped Capacity		Width Outside Lip		Bucket Weight	Number of Teeth	Arm Length 9' 10" (3.00 m)
	(yd³)	(m³)	(in)	(mm)			
STDP Standard duty plate	0.80	0.61	24	610	1285 583	3	H
	1.06	0.81	30	762	1458 661	4	H
	1.33	1.02	36	914	1630 739	5	H
	1.61	1.23	42	1067	1774 805	5	H
	1.89	1.45	48	1219	1918 870	5	H
	2.16	1.65	54	1372	2091 948	6	H
HDP Heavy duty plate	0.80	0.61	24	610	1498 679	3	H
	1.06	0.81	30	762	1705 773	4	H
	1.33	1.02	36	914	1873 850	4	H
	1.61	1.23	42	1067	2080 943	5	H
	1.89	1.45	48	1219	2247 1019	5	H
	2.16	1.65	54	1372	2454 1113	6	H
XDP Extreme duty plate	0.79	0.60	24	610	2230 1012	3	H
	1.05	0.80	30	762	2528 1147	4	H
	1.32	1.01	36	914	2749 1247	4	H
	1.59	1.22	42	1067	3047 1382	5	H
	1.87	1.43	48	1219	3267 1482	5	H
	2.15	1.64	54	1372	3565 1617	6	H
POWER HDP for use with ESCO multi-pin grabber only	0.76	0.58	24	610	3025 1372	3	H
	0.98	0.75	30	762	3183 1444	4	H
	1.21	0.93	36	914	3392 1539	4	H
	1.44	1.10	42	1067	3552 1611	5	H
	1.68	1.28	48	1219	3709 1682	5	H
	1.91	1.46	54	1372	3920 1778	6	H
DITCH	1.30	0.99	60	1524	1767 802	0	H
	1.45	1.11	66	1676	1928 875	0	H
	1.59	1.22	72	1829	2034 923	0	H

High-Wide Undercarriage							
Bucket Type	SAE Heaped Capacity		Width Outside Lip		Bucket Weight	Number of Teeth	Arm Length 9' 10" (3.00 m)
	(yd³)	(m³)	(in)	(mm)			
STDP Standard duty plate	0.80	0.61	24	610	1285 583	3	H
	1.06	0.81	30	762	1458 661	4	H
	1.33	1.02	36	914	1630 739	5	H
	1.61	1.23	42	1067	1774 805	5	H
	1.89	1.45	48	1219	1918 870	5	H
	2.16	1.65	54	1372	2091 948	6	H
HDP Heavy duty plate	0.80	0.61	24	610	1498 679	3	H
	1.06	0.81	30	762	1705 773	4	H
	1.33	1.02	36	914	1873 850	4	H
	1.61	1.23	42	1067	2080 943	5	H
	1.89	1.45	48	1219	2247 1019	5	H
	2.16	1.65	54	1372	2454 1113	6	H
XDP Extreme duty plate	0.79	0.60	24	610	2230 1012	3	H
	1.05	0.80	30	762	2528 1147	4	H
	1.32	1.01	36	914	2749 1247	4	H
	1.59	1.22	42	1067	3047 1382	5	H
	1.87	1.43	48	1219	3267 1482	5	H
	2.15	1.64	54	1372	3565 1617	6	H
POWER HDP for use with ESCO multi-pin grabber only	0.76	0.58	24	610	3025 1372	3	H
	0.98	0.75	30	762	3183 1444	4	H
	1.21	0.93	36	914	3392 1539	4	H
	1.44	1.10	42	1067	3552 1611	5	H
	1.68	1.28	48	1219	3709 1682	5	H
	1.91	1.46	54	1372	3920 1778	6	H
DITCH	1.30	0.99	60	1524	1767 802	0	H
	1.45	1.11	66	1676	1928 875	0	H
	1.59	1.22	72	1829	2034 923	0	H

Approval Code For Arm/Bucket Combinations
 H..... Heavy material (up to 3,370 lbs./yd³)
 M..... Medium material (up to 2,700 lbs./yd³)
 L..... Light material (up to 2,020 lbs./yd³)
 N/A..... Not applicable

3740 RB Specifications

Standard Equipment

- Oregon OSHA/ROPS/WCB compliant side-entry forestry cab with sky roof and escape hatch
- (12) LED exterior lights; (6) cab, (2) RH corner guard, (2) arm, (2) riser.
- Specific lighting pattern; (3) cab [1 front and 2 rear], (2) arm
- Key fob with remote machine light-up functionality; (2) riser step, (3) cab
- SCM air-suspension heated seat, sliding/reclining, adjustable armrests, lumbar support, retractable seat belt, +/- 5 degree tilt
- 4-position tilting consoles with memory position and hydraulic lock-out
- Auto climate control a/c and heat, defrost
- Sirius® Satellite ready sound system with AM/FM, MP3 port, USB port, dual speakers and mute button
- Job ticket slot, cup holder, 12-volt accessory outlet, digital clock, 24-volt cigarette lighter, ashtray, dome light, coat hook, high output dual horn, floor mat
- 2-position LED swivel map lights with red ambient illumination for safety and night vision compatibility.
- High definition LED monitor with full color 7" display
- Anti-theft device
- Single motor dual arm intermittent/continuous windshield wiper with washer
- Single pedal travel
- Travel alarm with cancellation switch
- CB radio and antenna mounting provision
- EPA Tier IV Isuzu diesel engine, no DPF system to maintain
- 85 amp alternator
- Common rail fuel injection
- VGT Turbocharger with intercooler
- Neutral safety start
- Idle start
- Glow plug pre-heat
- Auto engine warm-up
- Auto idling system
- One-touch idle
- Dual remote fuel filters with water separation
- Double element air filter with in-cab restriction indicator (SE only)
- Rear mounted counterweight fuel tank
- Remote, full-flow engine oil filter
- Green plug engine oil drain
- EPF Engine Protection
- Emergency engine stop
- Open-center hydraulic system
- Three selectable work modes
- Auto swing priority
- Auxiliary hydraulics for open/close/rotate
- Harvester Processor return line connection
- Pre-set auxiliary pump settings
- Control levers pre-wired for auxiliary
- Sealed and lubricated track chain
- Forestry-style upper roller brackets with scrapers
- Two-speed with auto shift and straight travel
- Planetary drive
- Spring-applied, hydraulic release brake
- Hydraulic track adjust
- 27.5" (700 mm) 2-bar grouser
- Full-length track guards (2 piece, bolt-on)
- HD purpose-built swivel guard belly pan
- HD purpose-built upper belly pans
- HD purpose-built reinforced frame (upper and lower)
- HD purpose-built pump and radiator doors
- HD purpose-built tank skin
- HD purpose-built full length catwalks with non-skid edge treatment- welded
- HD purpose-built turntable bearing and swing motor
- HD purpose-built travel motor covers
- RH corner guard with (2) lights and (2) horns
- HD boom cylinder guard
- Vandal locks with common key
- Non-skid surface pads
- Attachment cushion valve
- Boom regeneration
- Boom and arm holding valves
- Cylinder cushion - integral
- Centralized lube banks
- Engine oil and hydraulic oil sample ports
- On-board diagnostic system
- 11,130 lbs (5 050 kg) forestry counterweight
- Rear view camera (full time display)
- Battery disconnect switch
- RemoteCARE – telematics
- 2-position sun shade
- ISO compliant guard & hand rails along upper structure
- Large RH storage box

Optional Equipment

- 1-1/4" front window polycarbonate
- High-Wide undercarriage 11' 9" (3.59 m)
- High-Narrow undercarriage 11' 6" (3.50 m)
- "Hockey Stick" guard for RH front corner guard
- 27.5" (700 mm) single-bar grouser
- 27.5" (700 mm) 3-bar grouser
- Reversible fan

Radius of Load

9' 10" (3.00 m) Arm with 19' 2" (5.85 m) Boom in Standard Position and 2,110 lb. (957 kg) Bucket - High Narrow Undercarriage

End Side	5' 0" (1.5 m)		10' 0" (3.0 m)		15' 0" (4.5 m)		20' 0" (6.0 m)		25' 0" (7.5 m)		30' 0" (9.0 m)		Cap at Max. Reach		
	End	Side	End	Side	End	Side	End	Side	End	Side	End	Side	End	Side	
+30' 0" (9.0 m)	lbs												4,850*	4,850*	
	kg												2,170*	2,170*	
+25' 0" (7.5 m)	lbs								8,700*	8,700*			4,400*	4,400*	
	kg								3,970*	3,970*			1,980*	1,980*	
+20' 0" (6.0 m)	lbs								9,450*	9,450*	6,100*	6,100*	4,200*	4,200*	
	kg								4,380*	4,380*	3,290*	3,290*	1,910*	1,910*	
+15' 0" (4.5 m)	lbs				15,400*	15,400*	12,650*	12,650*	10,850*	10,850*	9,000*	9,000*	4,200*	4,200*	
	kg				7,340*	7,340*	5,850*	5,850*	5,010*	5,010*	4,390*	4,390*	1,910*	1,910*	
+10' 0" (3.0 m)	lbs		27,300*	27,300*	20,550*	20,550*	15,100*	15,100*	12,300*	12,300*	10,600*	10,600*	4,350*	4,350*	
	kg		12,770*	12,770*	9,540*	9,540*	7,000*	7,000*	5,680*	5,680*	4,880*	4,880*	1,980*	1,980*	
+5' 0" (1.5 m)	lbs		18,500*	18,500*	24,150*	24,150*	17,150*	17,150*	13,500*	13,500*	11,200*	11,200*	4,700*	4,700*	
	kg		7,930*	7,930*	11,190*	11,190*	7,940*	7,940*	6,230*	6,230*	5,170*	5,170*	2,140*	2,140*	
Ground	lbs	10,100*	10,100*	19,150*	19,150*	25,700*	25,700*	18,300*	18,300*	14,100*	14,100*	9,600*	9,600*	5,300*	5,300*
Line	kg	4,550*	4,550*	8,450*	8,450*	11,880*	11,880*	8,450*	8,450*	6,520*	6,520*	5,090*	5,090*	2,410*	2,410*
-5' 0" (1.5 m)	lbs	16,350*	16,350*	24,950*	24,950*	25,650*	25,650*	18,450*	18,450*	14,150*	14,150*			6,550*	6,550*
	kg	7,350*	7,350*	11,030*	11,030*	11,840*	11,840*	8,530*	8,530*	6,540*	6,540*			2,970*	2,970*
-10' 0" (3.0 m)	lbs	22,950*	22,950*	34,600*	34,600*	24,550*	24,550*	17,850*	17,850*	13,250*	13,250*			8,300*	8,300*
	kg	10,260*	10,260*	15,320*	15,320*	11,350*	11,350*	8,260*	8,260*	6,190*	6,190*			3,740*	3,740*
-15' 0" (4.5 m)	lbs	33,000*	33,000*	30,750*	30,750*	21,200*	21,200*	15,000*	15,000*					11,850*	11,850*
	kg	14,630*	14,630*	14,310*	14,310*	9,880*	9,880*	7,060*	7,060*					5,310*	5,310*

Radius of Load

9' 10" (3.00 m) Arm with 19' 2" (5.85 m) Boom in High Lift Position and 2,110 lb. (957 kg) Bucket - High Narrow Undercarriage

End Side	5' 0" (1.5 m)		10' 0" (3.0 m)		15' 0" (4.5 m)		20' 0" (6.0 m)		25' 0" (7.5 m)		30' 0" (9.0 m)		Cap at Max. Reach		
	End	Side	End	Side	End	Side	End	Side	End	Side	End	Side	End	Side	
+30' 0" (9.0 m)	lbs												4,850*	4,850*	
	kg												2,170*	2,170*	
+25' 0" (7.5 m)	lbs								9,750*	9,750*	8,700*	8,700*	4,400*	4,400*	
	kg								4,020*	4,020*	4,100*	4,100*	1,980*	1,980*	
+20' 0" (6.0 m)	lbs								11,950*	11,950*	10,350*	10,350*	6,100*	6,100*	
	kg								5,530*	5,530*	4,770*	4,770*	3,290*	3,290*	
+15' 0" (4.5 m)	lbs					17,300*	17,300*	14,600*	14,600*	12,750*	12,750*	9,000*	9,000*	4,200*	4,200*
	kg					8,120*	8,120*	6,730*	6,730*	5,940*	5,940*	4,390*	4,390*	1,910*	1,910*
+10' 0" (3.0 m)	lbs		33,350*	33,350*	23,500*	23,500*	17,300*	17,300*	13,800*	13,800*	10,750*	10,750*	4,350*	4,350*	
	kg		15,500*	15,500*	10,900*	10,900*	8,000*	8,000*	6,370*	6,370*	5,220*	5,220*	1,980*	1,980*	
+5' 0" (1.5 m)	lbs		18,500*	18,500*	25,850*	25,850*	18,500*	18,500*	14,300*	14,300*	11,400*	11,200*	4,700*	4,700*	
	kg		7,930*	7,930*	11,950*	11,950*	8,540*	8,540*	6,610*	6,610*	5,280*	5,200*	2,140*	2,140*	
Ground	lbs	10,100*	10,100*	19,150*	19,150*	25,950*	25,950*	18,650*	18,650*	14,300*	14,300*	9,600*	9,600*	5,300*	5,300*
Line	kg	4,550*	4,550*	8,450*	8,450*	11,980*	11,980*	8,630*	8,630*	6,610*	6,610*	5,020*	5,020*	2,410*	2,410*
-5' 0" (1.5 m)	lbs	16,350*	16,350*	24,950*	24,950*	24,800*	24,800*	18,100*	18,100*	13,600*	13,600*			6,550*	6,550*
	kg	7,350*	7,350*	11,030*	11,030*	11,450*	11,450*	8,370*	8,370*	6,330*	6,330*			2,970*	2,970*
-10' 0" (3.0 m)	lbs	22,950*	22,950*	30,100*	30,100*	21,600*	21,600*	15,850*	15,850*	11,100*	11,100*			8,300*	8,300*
	kg	10,260*	10,260*	13,910*	13,910*	10,010*	10,010*	7,380*	7,380*	5,280*	5,280*			3,740*	3,740*
-15' 0" (4.5 m)	lbs	20,600*	20,600*	15,450*	15,450*	10,600*	10,600*							7,250*	7,250*
	kg	9,670*	9,670*	7,290*	7,290*	5,120*	5,120*							3,350*	3,350*

LBX Company is the proud maker of quality Link-Belt excavators and is located in Lexington, KY.

#LBX2301 supersedes #LBX2295 Litho in USA 2/16 LBX® and Link-Belt® are registered trademarks. Copyright 2016. All rights reserved. We are constantly improving our products and therefore reserve the right to change designs and specifications.

