

PRELIMINARY SPECIFICATIONS **245x4**



Engine

Isuzu AR-4HK1X Final Tier 4 turbocharged diesel engine with electronic control (ECM) and high pressure common-rail fuel injection, 4-cylinder, water-cooled, cooled Exhaust Gas Recirculation (EGR), Intercooler, Variable-Geometry Turbocharger (VGT), Diesel Oxidation Catalyst (DOC) and Selective Catalytic Reduction (SCR) system with Dosing Control Module and heated DEF lines and tank. Electronic fuel pump and priming, Fuel cooler, Auto-idle start, Auto warm-up, EPF engine protection, dual-stage fuel filtration, remote oil filter, engine oil sample port, green plug oil drain, double element air filter.

Net Horsepower	160 hp (119.3 kW) @ 1,800 rpm
Displacement	317 cu in (5.2 L)
Maximum Torque.....	457 lbf-ft (620 Nm) @ 1,600 rpm
Starter	24V-5.0 kW
Alternator.....	50 amp
Battery.....	(2) 12-volt 92 amp hours



Cab and Controls

ROPS and FOPS Level 1 certified with automatic climate control A/C and heat with defroster, 7" LCD Hi-Definition color monitor with full time rear view camera display, fuel efficiency gauge, low-effort joysticks are pre-wired for auxiliary hydraulics, dual cab lights, pattern control valve, safety glass windows, sunroof with sunshade, shockless cab suspension with four fluid-filled cab mounts, SCM High-Back reclining suspension seat, sliding 4-position tilting control consoles, AM/FM sound system with MP3 auxiliary input jack, digital clock, dome light, seat belt, coat hook, cup holder, storage compartments, floor mat, footrests, ashtray, 24V cigarette lighter, 12V outlet, travel alarm, handrails, mirrors, side-entry cab filter.

Three selectable work modes, RemoteCARE Telematics GPS system, anti-theft password protection system, onboard self-diagnostic system with memory and service interval reminders, auto idling system, one-touch decelerator, auto-idle engine shutdown, auto-power boost, neutral safety start, gate-lock safety shutoff.



Hydraulic System

Open-center system, two variable-displacement electronically controlled axial-piston pumps and one gear pump for pilot controls, main control valve with one 4-spool section and one 5-spool section with auxiliary spool: stackable, Auxiliary Control System, oil cooler, Auto-Power boost, boom and arm holding valves, 6 micron return filter, firewall, hydraulic oil sample port.

Hydraulic Pumps

Pump Output	2 x 55.7 gpm (211 L/min)
Pilot Pump Maximum Flow.....	4.8 gpm (18 L/min)

Relief Valve Settings

Boom / Arm / Bucket.....	4,970 psi (34.3 MPa)
in Power Boost	5,410 psi (37.3 MPa)
Swing Circuit	4,260 psi (29.4 MPa)
Travel Circuit	4,970 psi (34.3 MPa)

Hydraulic Cylinders

	number of cylinders - bore x stroke
Boom.....	2 - 4.7" x 53.9" (120 mm x 1,370 mm)
Arm	1 - 5.5" x 57.4" (140 mm x 1,460 mm)
Bucket.....	4.7" x 39.8" (120 mm x 1,010 mm)



Swing

Planetary reduction powered by axial-piston motor, Internal ring gear with grease cavity for swing pinion, Swing bearing is single-row, shear type ball bearing, Mechanical disc swing brake, Free swing.

Swing Speed	11.5 rpm
Tail Swing.....	5' 10" (1.79 m)
Swing Torque	47,200 lbf-ft (64 kNm)



Undercarriage

X Pattern carbody with 14' 8"(4.47 m) long undercarriage by 7' 10"(2.39 m) track gauge, Sealed and strutted track chain with track guide, Sealed rollers and idlers, Two-speed independent hydrostatic travel with planetary final drive, Disc type brakes, Adjustable track tension, Carbody belly pan.

Carrier Rollers	2 per Side
Track Rollers	8 per Side
Track Link Pitch.....	7.48" (190 mm)
Shoes	49 per Side
Shoe Width.....	31.5" (800 mm)
Ground Pressure.....	5.80 psi (0.040 MPa)



Travel System

Two-speed independent hydrostatic travel with axial-piston motors, Hydraulic motor powered output shaft coupled to a planetary reduction drive and track sprocket, All hydraulic components mounted within the width of side frame, Automatic downshift for high torque to overcome obstacles, Spring-applied hydraulic release parking brake built into each motor, Travel motors equipped with counterbalance valve to prevent over-speeding down an incline, Single-pedal straight line travel.

Travel Speeds	2.0 - 3.1 mph (3.2 - 5.0 km/h)
Drawbar Pull.....	45,000 lbf (200 kN)
Gradeability.....	70% (35°)



Attachment

Boom.....	18' 8" (5.70 m)
Available Arms	Digging Force
• 9' 8" (2.94 m)	23,200 lbf (103 kN)
with Auto Power Boost	25,200 lbf (112 kN)
• 7' 10" (2.40 m)	27,700 lbf (123 kN)
with Auto Power Boost	30,000 lbf (133 kN)
• Bucket Digging Force	31,800 lbf (142 kN)
with Auto Power Boost	34,600 lbf (154 kN)



Lubricant & Coolant Capacity

Fuel Tank.....	85 Gallons (320 Liters)
Hydraulic System	67 Gallons (252 Liters)
Hydraulic Tank	30 Gallons (114 Liters)
Final Drive (per side)	1.3 Gallons (5 Liters)
Swing Drive	1.3 Gallons (5 Liters)
Engine Oil	6.1 Gallons (23.1 Liters)
DEF Tank.....	11.9 Gallons (45 Liters)
Coolant System	8.4 Gallons (31.9 Liters)

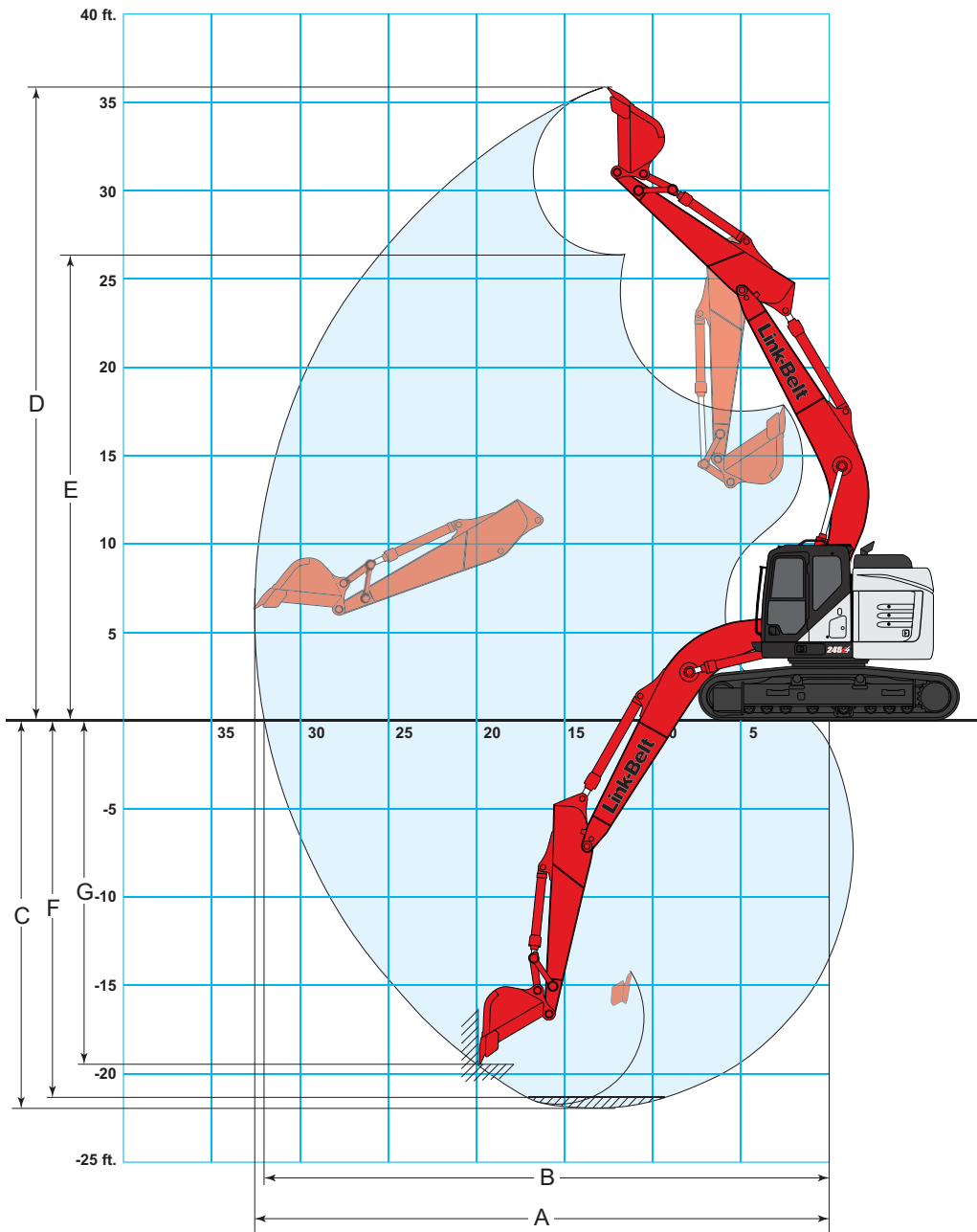


Operating Weight

Working weight with 31.5" (800 mm) shoes, 18' 8" (5.70 m) boom, 9' 8" (2.94 m) arm, 1,435 lb. (651 kg) bucket, 16,400 lb. (7 430 kg) counterweight
..... 56 900 lbs. (25,800 kg)

Working weight with 23.6" (600 mm) shoes, 18' 8" (5.70 m) boom, 9' 8" (2.94 m) arm, 1,435 lb. (651 kg) bucket, 16,400 lb. (7 430 kg) counterweight, dozer blade
..... 58 100 lbs. (26,400 kg)

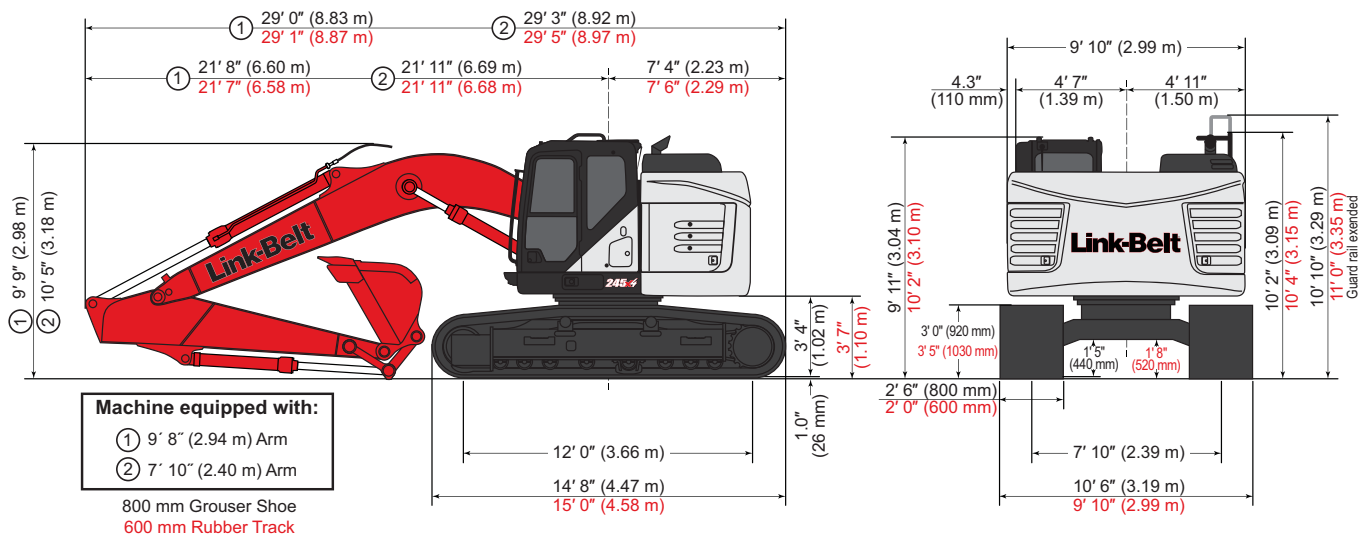
WORKING RANGE



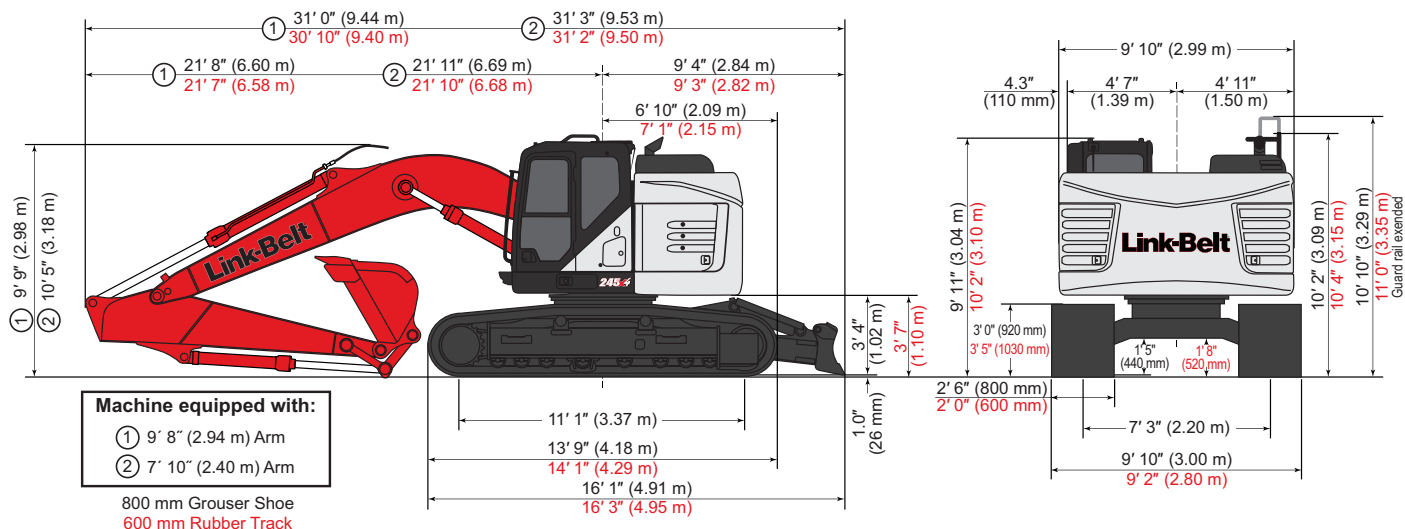
Machine Equipped with 18' 8" (5.70 m) Boom	Arm 9' 8" (2.94 m)	Arm 7' 10" (2.40 m)
A. Maximum reach	32' 4" (9.85 m)	30' 9" (9.37 m)
B. Maximum reach @ ground level	31' 9" (9.67 m)	30' 1" (9.18 m)
C. Maximum dig depth	21' 10" (6.65 m)	20' 1" (6.12 m)
D. Maximum dig height	35' 8" (10.86 m)	34' 6" (10.52 m)
E. Maximum dump height	26' 2" (7.97 m)	25' 0" (7.63 m)
F. Digging depth 8' (2.44 m) level bottom	21' 3" (6.48 m)	19' 5" (5.91 m)
G. Bucket rotation	177°	177°
H. Maximum vertical wall depth	19' 5" (5.92 m)	18' 0" (5.48 m)

TRAVEL DIMENSIONS

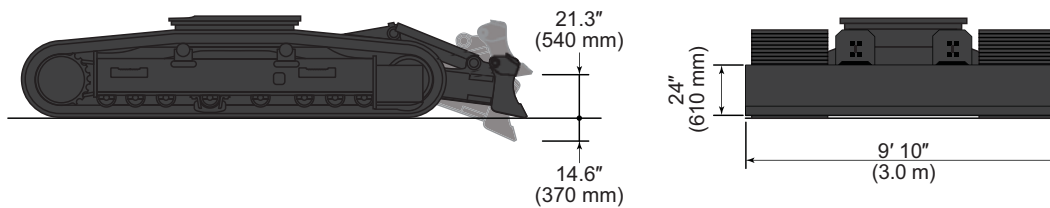
Long Undercarriage



Dozer Blade



BLADE DIMENSIONS



LIFT CAPACITIES



Radius of Load - Regular Undercarriage with Blade Down															
9' 8" (2.94 m) Arm with 18' 8" (5.7 m) Boom and 1 440 lb. (650 kg) Bucket with Power-Boost Applied - Standard Arm															
End	Side	5' 0" (1.5 m)		10' 0" (3.0 m)		15' 0" (4.5 m)		20' 0" (6.0 m)		25' 0" (7.5 m)		30' 0" (9.0 m)		Max Reach	
		End	Side	End	Side	End	Side	End	Side	End	Side	End	Side	End	Side
+30' 0"	lbs													5,750*	5,750*
(9.0 m)	kg													2 560*	2 560*
+25' 0"	lbs							8,900*	8,900*					5,000*	5,000*
(7.5 m)	kg							4 050*	4 050*					2 260*	2 260*
+20' 0"	lbs							9,900*	9,900*	9,000*	8,350			4,750*	4,750*
(6.0 m)	kg							4 510*	4 510*	4 100*	3 880			2 150*	2 150*
+15' 0"	lbs			11,000*	11,000*	12,400*	12,400*	11,000*	11,000*	10,100*	8,100	5,350*	5,350*	4,700*	4,700*
(4.5 m)	kg			5 060*	5 060*	5 770*	5 770*	5 080*	5 080*	4 700*	3 770	3 060*	2 710	2 140*	2 140*
+10' 0"	lbs			23,900*	23,900*	17,200*	17,150	13,250*	11,200	11,150*	7,800	8,000*	5,650	4,900*	4,900*
(3.0 m)	kg			11 080*	11 080*	7 990*	7 970	6 130*	5 190	5 120*	3 620	4 090*	2 640	2 210*	2 210*
+5' 0"	lbs			21,300*	21,300*	20,950*	16,350	15,200*	10,550	12,250*	7,450	8,800*	5,500	5,200*	5,150
(1.5 m)	kg			9 030*	9 030*	9 710*	7 580	7 030*	4 910	5 650*	3 470	4 520*	2 570	2 350*	2 340
Ground	lbs			19,700*	19,700*	22,850*	15,450	16,450*	10,100	12,900*	7,200	6,900*	5,400	5,750*	5,350
Line	kg			8 650*	8 650*	10 550*	7 180	7 600*	4 690	5 950*	3 350	3 940*	2 510	2 600*	2 420
-5' 0"	lbs	16,450*	16,450*	25,100*	25,100*	22,950*	15,200	16,650*	9,850	12,900*	7,100			6,700*	5,850
(1.5 m)	kg	7 440*	7 440*	11 100*	11 100*	10 580*	7 060	7 700*	4 580	5 960*	3 290			3 030*	2 650
-10' 0"	lbs	22,650*	22,650*	32,150*	30,050	21,900*	15,350	16,000*	10,000	11,700*	7,250			8,500*	6,950
(3.0 m)	kg	10 120*	10 120*	14 820*	14 010	10 130*	7 130	7 420*	4 630	5 510*	3 370			3 800*	3 120
-15' 0"	lbs	32,700*	32,700*	26,750*	26,750*	18,650*	15,850	13,050*	10,400					11,050*	9,300
(4.5 m)	kg	14 510*	14 510*	12 440*	12 440*	8 710*	7 350	6 190*	4 830					5 010*	4 140



Radius of Load - Regular Undercarriage with Blade Up															
9' 8" (2.94 m) Arm with 18' 8" (5.7 m) Boom and 1 440 lb. (650 kg) Bucket with Power-Boost Applied - Standard Arm															
End	Side	5' 0" (1.5 m)		10' 0" (3.0 m)		15' 0" (4.5 m)		20' 0" (6.0 m)		25' 0" (7.5 m)		30' 0" (9.0 m)		Max Reach	
		End	Side	End	Side	End	Side	End	Side	End	Side	End	Side	End	Side
+30' 0"	lbs													5,750*	5,750*
(9.0 m)	kg													2 560*	2 560*
+25' 0"	lbs							8,900*	8,900*					5,000*	5,000*
(7.5 m)	kg							4 050*	4 050*					2 260*	2 260*
+20' 0"	lbs							9,900*	9,900*	9,000*	7,750			4,750*	4,750*
(6.0 m)	kg							4 510*	4 510*	4 100*	3 620			2 150*	2 150*
+15' 0"	lbs			11,000*	11,000*	12,400*	12,400*	11,000*	10,900	10,100*	7,550	5,350*	5,350*	4,700*	4,700*
(4.5 m)	kg			5 060*	5 060*	5 770*	5 770*	5 080*	5 040	4 700*	3 510	3 060*	2 510	2 140*	2 140*
+10' 0"	lbs			23,900*	23,900*	17,200*	16,200	13,250*	10,400	10,850	7,250	7,950	5,250	4,900*	4,850
(3.0 m)	kg			11 080*	11 080*	7 990*	7 500*	6 130*	4 830	5 030	3 360	3 720	2 440	2 210*	2 200
+5' 0"	lbs			21,300*	21,300*	20,950*	15,100	14,900	9,800	10,500	6,900	7,800	5,100	5,200*	4,750
(1.5 m)	kg			9 030*	9 030*	9 710*	7 000	6 910	4 550	4 880	3 210	3 640	2 370	2 350*	2 160
Ground	lbs			19,700*	19,700*	22,800	14,250	14,450	9,350	10,200	6,650	6,900*	5,000	5,750*	4,900
Line	kg			8 650*	8 650*	10 550*	6 620	6 720	4 330	4 750	3 090	3 580	2 320	2 600*	2 230
-5' 0"	lbs	16,450*	16,450*	25,100*	25,100*	22,600	14,000	14,200	9,100	10,100	6,550			6,700*	5,400
(1.5 m)	kg	7 440*	7 440*	11 100*	11 100*	10 520	6 500	6 600	4 230	4 690	3 040			3 030*	2 440
-10' 0"	lbs	22,650*	22,650*	32,150*	27,450	21,900*	14,150	14,300	9,200	10,250	6,700			8,500*	6,400
(3.0 m)	kg	10 120*	10 120*	14 820*	12 790	10 130*	6 570	6 640	4 280	4 770	3 110			3 800*	2 880
-15' 0"	lbs	32,700*	32,700*	26,750*	26,750*	18,650*	14,650	13,050*	9,700					11,050*	8,600
(4.5 m)	kg	14 510*	14 510*	12 440*	12 440*	8 710*	6 790	6 190*	4 500*					5 010*	3 830

Notes: Excavator lifting capacities

- Lifting capacities shown should not be exceeded. Weight of all lifting accessories must be deducted from the above lifting capacities.
- Lifting capacities are based on machine standing on firm, uniform supporting surface. User must make allowances for job conditions such as soft or uneven ground.
- Lifting capacities shown do not exceed 75% of minimum tipping loads or 87% of hydraulic capacities. **Capacities marked with an asterisk (*) are limited by hydraulic capacities.**
- Least stable position is over the side.
- Operator should be fully acquainted with the Operator's Manual & Operating Safety Booklet, furnished by LBX before operating the machine.
- Capacities apply only to the machine as originally manufactured and normally equipped by LBX Company, LLC.
- Lift capacity ratings are based on ISO 10567, "Earthmoving Machinery - Hydraulic Excavators - Lift Capacity."

LIFT CAPACITIES

Radius of Load - Regular Undercarriage with Blade Down													
7' 10" (2.40 m) Arm with 18' 8" (5.7 m) Boom and 1 540 lb. (700 kg) Bucket with Power-Boost Applied - Standard Arm													
 End	 Side	5' 0" (1.5 m)		10' 0" (3.0 m)		15' 0" (4.5 m)		20' 0" (6.0 m)		25' 0" (7.5 m)		Max Reach	
		End	Side	End	Side	End	Side	End	Side	End	Side	End	Side
+30' 0"	lbs					10,100*	10,100*					8,600*	8,600*
(9.0 m)	kg					3 540*	3 540*					3 820*	3 820*
+25' 0"	lbs					8,150*	8,150*	9,850*	9,850*			7,400*	7,400*
(7.5 m)	kg					3 710*	3 710*	4 450*	4 450*			3 330*	3 330*
+20' 0"	lbs					11,400*	11,400*	10,900*	10,900*	9,850*	8,100	7,000*	7,000*
(6.0 m)	kg					5 220*	5 220*	4 990*	4 990*	4 510*	3 770	3 170*	3 170*
+15' 0"	lbs			18,100*	18,100*	14,450*	14,450*	11,950*	11,450*	10,800*	7,900	6,950*	6,150
(4.5 m)	kg			8 490*	8 490*	6 710*	6 710*	5 540*	5 320	5 000*	3 680	3 150*	2 780
+10' 0"	lbs			26,950*	26,950*	18,600*	17,100	14,000*	10,900	11,700*	7,600	7,150*	5,650
(3.0 m)	kg			10 330*	10 330*	8 600*	7 920*	6 470*	5 070	5 370*	3 540	3 240*	2 570
+5' 0"	lbs					21,750*	15,950	15,700*	10,350	12,550*	7,300	7,550*	5,550
(1.5 m)	kg					10 010*	7 390	7 260*	4 810	5 790*	3 400	3 440*	2 520
Ground	lbs			17,750*	17,750*	23,000*	15,250	16,600*	9,950	12,900*	7,100	8,350*	5,800
Line	kg			7 810*	7 810*	10 610*	7 080	7 680*	4 620	5 970*	3 300	3 790*	2 620
-5' 0"	lbs	19,500*	19,500*	26,000*	26,000*	22,700*	15,200	16,550*	9,850	12,600*	7,100	9,800*	6,450
(1.5 m)	kg	8 740*	8 740*	11 460*	11 460*	10 470*	7 060	7 650*	4 570	5 860*	3 290	4 420*	2 910
-10' 0"	lbs	25,650*	25,650*	30,100*	29,750	21,000*	15,450	15,350*	10,050			11,350*	7,850
(3.0 m)	kg	11 440*	11 440*	13 890*	13 840	9 720*	7 180	7 120*	4 660			5 150*	3 520
-15' 0"	lbs			23,500*	23,500*	16,600*	15,750					11,150*	11,150*
(4.5 m)	kg			10 970*	10 970*	7 810*	7 310					5 060*	4 950

Radius of Load - Regular Undercarriage with Blade Up													
7' 10" (2.40 m) Arm with 18' 8" (5.7 m) Boom and 1 540 lb. (700 kg) Bucket with Power-Boost Applied - Standard Arm													
 End	 Side	5' 0" (1.5 m)		10' 0" (3.0 m)		15' 0" (4.5 m)		20' 0" (6.0 m)		25' 0" (7.5 m)		Max Reach	
		End	Side	End	Side	End	Side	End	Side	End	Side	End	Side
+30' 0"	lbs					10,100*	10,100*					8,600*	8,600*
(9.0 m)	kg					3 540*	3 540*					3 820*	3 820*
+25' 0"	lbs					8,150*	8,150*	9,850*	9,850*			7,400*	7,400*
(7.5 m)	kg					3 710*	3 710*	4 450*	4 450*			3 330*	3 330*
+20' 0"	lbs					11,400*	11,400*	10,900*	10,850	9,850*	7,500	7,000*	6,700
(6.0 m)	kg					5 220*	5 220*	4 990*	4 990*	4 510*	3 510	3 170*	3 010
+15' 0"	lbs			18,100*	18,100*	14,450*	14,450*	11,950*	10,700	10,800*	7,350	6,950*	5,700
(4.5 m)	kg			8 490*	8 490*	6 710*	6 710*	5 540*	4 980	5 000*	3 420	3 150*	2 570
+10' 0"	lbs			26,950*	26,950*	18,600*	15,850	14,000*	10,150	10,650	7,050	7,150*	5,250
(3.0 m)	kg			10 330*	10 330*	8 600*	7 360	6 470*	4 710	4 960	3 280	3 240*	2 370
+5' 0"	lbs					21,750*	14,700	14,750	9,600	10,350	6,750	7,550*	5,100
(1.5 m)	kg					10 010*	6 820	6 850	4 450	4 810	3 150	3 440*	2 320
Ground	lbs			17,750*	17,750*	22,650	14,050	14,300	9,200	10,150	6,550	8,250	5,300
Line	kg			7 810*	7 810*	10 550	6 520	6 650	4 270	4 710	3 050	3 740	2 410
-5' 0"	lbs	19,500*	19,500*	26,000*	26,000*	22,500	14,000	14,150	9,100	10,100	6,550	9,150	5,950
(1.5 m)	kg	8 740*	8 740*	11 460*	11 460*	10 460*	6 500	6 580	4 220	4 690	3 040	4 140	2 680
-10' 0"	lbs	25,650*	25,650*	30,100*	27,550	21,000*	14,250	14,300	9,300			11,150	7,250
(3.0 m)	kg	11 440*	11 440*	13 890*	12 830	9 720*	6 610	6 650	4 310			5 010	3 250
-15' 0"	lbs			23,500*	23,500*	16,600*	14,650					11,150*	10,350
(4.5 m)	kg			10 970*	10 970*	7 810*	6 800					5 060*	4 590

LIFT CAPACITIES

Radius of Load - Long Undercarriage																
9' 8" (2.94 m) Arm with 18' 8" (5.7 m) Boom and 1 440 lb. (650 kg) Bucket with Power-Boost Applied - Standard Arm																
End	Side	5' 0" (1.5 m)		10' 0" (3.0 m)		15' 0" (4.5 m)		20' 0" (6.0 m)		25' 0" (7.5 m)		30' 0" (9.0 m)		Max Reach		
		End	Side	End	Side	End	Side	End	Side	End	Side	End	Side	End	Side	
+30' 0"	lbs														5,750*	5,750*
(9.0 m)	kg														2 550*	2 550*
+25' 0"	lbs							8,900*	8,900*						5,000*	5,000*
(7.5 m)	kg							4 040*	4 040*						2 250*	2 250*
+20' 0"	lbs							9,850*	9,850*	8,950*	8,300				4,750*	4,750*
(6.0 m)	kg							4 500*	4 500*	4 090*	3 880				2 140*	2 140*
+15' 0"	lbs			11,000*	11,000*	12,400*	12,400*	11,000*	11,000*	10,050*	8,100	5,350*	5,350*	4,700*	4,700*	
(4.5 m)	kg			5 050*	5 050*	5 760*	5 760*	5 070*	5 070*	4 690*	3 770	3 050*	2 700	2 130*	2 130*	
+10' 0"	lbs			23,900*	23,900*	17,200*	17,200*	13,250*	11,200	11,100*	7,800	8,000*	5,650	4,850*	4,850*	
(3.0 m)	kg			11 070*	11 070*	7 980*	7 980*	6 120*	5 200	5 110*	3 620	4 080*	2 640	2 210*	2 210*	
+5' 0"	lbs			21,300*	21,300*	20,950*	16,400	15,200*	10,600	12,000*	7,450	8,800*	5,500	5,150*	5,150	
(1.5 m)	kg			9 020*	9 020*	9 700*	7 610	7 020*	4 910	5 580	3 460	4 180	2 560	2 340*	2 330	
Ground	lbs			19,650*	19,650*	22,800*	15,500	16,450*	10,100	11,750	7,200	6,850*	5,400	5,750*	5,300	
Line	kg			8 640*	8 640*	10 540*	7 210	7 590*	4 690	5 470	3 340	3 930*	2 510	2 590*	2 410	
-5' 0"	lbs	16,450*	16,450*	25,100*	25,100*	22,900*	15,250	16,400	9,850	11,650	7,100				6,700*	5,850
(1.5 m)	kg	7 430*	7 430*	11 100*	11 100*	10 570*	7 090	7 640	4 590	5 410	3 290				3 020*	2 640
-10' 0"	lbs	22,650*	22,650*	32,100*	30,350	21,900*	15,400	16,000*	10,000	11,650	7,250				8,500*	6,900
(3.0 m)	kg	10 120*	10 120*	14 810*	14 140	10 110*	7 160	7 410*	4 630	5 430*	3 360				3 790*	3 120
-15' 0"	lbs	32,700*	32,700*	26,700*	26,700*	18,650*	15,900*	13,050*	10,400						11,000*	9,300
(4.5 m)	kg	14 500*	14 500*	12 430*	12 430*	8 700*	7 380*	6 180*	4 830						5 000*	4 140

Radius of Load - Long Undercarriage														
7' 10" (2.40 m) Arm with 18' 8" (5.7 m) Boom and 1 540 lb. (700 kg) Bucket with Power-Boost Applied - Standard Arm														
End	Side	5' 0" (1.5 m)		10' 0" (3.0 m)		15' 0" (4.5 m)		20' 0" (6.0 m)		25' 0" (7.5 m)		Max Reach		
		End	Side	End	Side	End	Side	End	Side	End	Side	End	Side	
+30' 0"	lbs					10,100*	10,100*						8,600*	8,600*
(9.0 m)	kg					3 540*	3 540*						3 810*	3 810*
+25' 0"	lbs					8,150*	8,150*	9,850*	9,850*				7,400*	7,400*
(7.5 m)	kg					3 710*	3 710*	4 450*	4 450*				3 330*	3 330*
+20' 0"	lbs					11,350*	11,350*	10,900*	10,900*	9,800*	8,050	7,000*	7,000*	
(6.0 m)	kg					5 210*	5 210*	4 980*	4 980*	4 500*	3 770	3 160*	3 160*	
+15' 0"	lbs			18,100*	18,100*	14,400*	14,400*	11,950*	11,450	10,750*	7,900	6,950*	6,150	
(4.5 m)	kg			8 480*	8 480*	6 700*	6 700*	5 530*	5 320	4 990*	3 670	3 140*	2 780	
+10' 0"	lbs			26,950*	26,950*	18,600*	17,150	13,950*	10,950	11,700*	7,600	7,100*	5,650	
(3.0 m)	kg			10 340*	10 340*	8 590*	7 950*	6 460*	5 070	5 360*	3 540	3 230*	2 560	
+5' 0"	lbs					21,750*	16,000	15,700*	10,350	11,900	7,300	7,550*	5,550	
(1.5 m)	kg					10 000*	7 420	7 250*	4 810	5 530	3 400	3 430*	2 510	
Ground	lbs			17,750*	17,750*	22,950*	15,300	16,500	9,950	11,650	7,100	8,350*	5,750	
Line	kg			7 800*	7 800*	10 600*	7 110	7 660*	4 630	5 420	3 300	3 790*	2 610	
-5' 0"	lbs	19,450*	19,450*	26,000*	26,000*	22,650*	15,250	16,350	9,850	11,650	7,100	9,750*	6,400	
(1.5 m)	kg	8 730*	8 730*	11 470*	11 470*	10 460*	7 090	7 600	4 570	5 410	3 290	4 420*	2 900	
-10' 0"	lbs	25,650*	25,650*	30,050*	29,950	21,000*	15,500	15,300*	10,050				11,350*	7,800
(3.0 m)	kg	11 440*	11 440*	13 880*	13 880*	9 710*	7 200	7 110*	4 660				5 140*	3 520
-15' 0"	lbs			23,500*	23,500*	16,600*	15,800						11,100*	11,100*
(4.5 m)	kg			10 960*	10 960*	7 790*	7 330						5 050*	4 960

Notes: Excavator lifting capacities

- Lifting capacities shown should not be exceeded. Weight of all lifting accessories must be deducted from the above lifting capacities.
- Lifting capacities are based on machine standing on firm, uniform supporting surface. User must make allowances for job conditions such as soft or uneven ground.
- Lifting capacities shown do not exceed 75% of minimum tipping loads or 87% of hydraulic capacities. **Capacities marked with an asterisk (*) are limited by hydraulic capacities.**
- Least stable position is over the side.
- Operator should be fully acquainted with the Operator's Manual & Operating Safety Booklet, furnished by LBX before operating the machine.
- Capacities apply only to the machine as originally manufactured and normally equipped by LBX Company, LLC.
- Lift capacity ratings are based on ISO 10567, "Earthmoving Machinery - Hydraulic Excavators - Lift Capacity."

BUCKET SIZES

Bucket Type	SAE Heaped Capacity (yd ³) (m ³)		Width Outside Lip (in) (mm)		Bucket Weight (lbs) (kg)		Number of Teeth	No Blade		Blade	
								Arm Length		Arm Length	
								9' 8"	7' 10"	9' 8"	7' 10"
							2.94 m	2.40 m	2.94 m	2.40 m	
STDP	0.65	0.50	24	610	1151	522	4	H	H	H	H
	0.87	0.67	30	762	1265	574	4	H	H	H	H
	1.09	0.83	36	914	1433	650	5	H	H	H	H
	1.31	1.00	42	1067	1570	712	5	H	H	M	H
	1.53	1.17	48	1219	1687	765	5	M	M	M	M
	1.75	1.34	54	1372	1853	841	6	L	M	L	L
HDP	0.64	0.49	24	610	1392	631	3	H	H	H	H
	0.85	0.65	30	762	1592	722	4	H	H	H	H
	1.07	0.82	36	914	1794	814	5	H	H	H	H
	1.29	0.99	42	1067	1954	886	5	H	H	M	H
	1.51	1.15	48	1219	2114	959	5	M	M	L	M
	1.72	1.32	54	1372	2315	1050	6	L	M	L	L
XDP	0.64	0.49	24	610	1549	703	3	H	H	H	H
	0.85	0.65	30	762	1769	802	4	H	H	H	H
	1.07	0.82	36	914	1933	877	4	H	H	H	H
	1.29	0.99	42	1067	2152	976	5	M	H	M	H
	1.51	1.15	48	1219	2316	1051	5	M	M	L	M
	1.72	1.32	54	1372	2536	1150	6	L	L	L	L
POWER	0.61	0.47	24	610	1956	887	4	H	H	H	H
	0.80	0.61	30	762	2102	953	5	H	H	H	H
	0.99	0.76	36	914	2287	1037	5	H	H	H	H
	1.18	0.90	42	1067	2433	1104	5	H	H	M	H
	1.38	1.06	48	1219	2578	1169	5	M	M	L	M
DITCH	1.08	0.83	60	1524	1470	667	0	H	H	H	H
	1.20	0.92	66	1676	1557	706	0	H	H	H	H
	1.32	1.01	72	1829	1648	748	0	H	H	M	H

STDP - Standard duty plate
HDP - Heavy duty plate
XDP - Extreme duty plate
POWER - HDP for use with ESCO multi-pin grabber only

Approval Code For Arm/Bucket Combinations
H..... Heavy material (up to 3,370 lbs./yd³)
M Medium material (up to 2,700 lbs./yd³)
L..... Light material (up to 2,020 lbs./yd³)
N/A.... Not applicable

STANDARD & OPTIONAL EQUIPMENT

CAB		ENGINE		HYDRAULICS		UPPERSTRUCTURE	
12V Power Outlet.....	S	Selectable Monitor Languages.....	S	Arm Regeneration.....	S	Carbody Belly Pan (Swivel Guarding).....	S
230° WAVES™ Camera System.....	0	Small Storage.....	S	Arm Speed Assistance (2 Pump Flow).....	S	Center Track Guide (single).....	S
AM/FM Sound System.....	S	Travel Alarm with Cancel Switch.....	S	Attachment Cushion Valve.....	S	Center Track Guide (triple).....	0
Anti-Theft Device.....	S	Trip Meter (Digital).....	S	Auto Swing Priority.....	S	Lashing Points (Tie-Downs).....	S
Auxiliary Switches on Control Lever.....	S	Wiper & Washer.....	S	Auxiliary Flow Control.....	S	Sealed Link Chain.....	S
Cab Filter - External.....	S	Wiper Switch on RH Joystick.....	S	Auxiliary Tool Settings (Memory).....	S	Steps.....	S
Cab Handrails.....	S	ENGINE		Auxiliary Valve.....	S	Strutted Track Chain.....	S
Cab Interior Light.....	S	50A Alternator.....	S	Boom Regeneration.....	S	X-Pattern Carbody.....	S
Cab ISO-Mounts.....	S	85A Alternator.....	0	Boom Speed Assistance (2 Pump Flow).....	S	ATTACHMENT	
Cab Light (2 LED).....	0	Air Filter (Double Element).....	S	Bucket Curl Assist.....	S	Belly Pans.....	S
Cab Light (2).....	S	Air Filter Restriction Indicator.....	S	Control Levers Pre-Wired for Auxiliary Hyd.....	S	Center Cover (Over Main CV).....	S
Cab Sun Screen (rear).....	0	Auto Warm-Up System.....	S	Pattern Control Valve (2 way).....	S	Fuel Tank Belly Pan.....	S
Clear Roof Window.....	S	Auto-Idle.....	S	Electronically Controlled Hydraulic Pumps.....	S	Hand Rail (RH access).....	S
Climate Control A/C and Heater.....	S	Auto-Idle Engine Shutdown.....	S	Fire Wall.....	S	ISO Guard Rails.....	S
Cup Holder.....	S	Battery Disconnect Switch.....	S	Free Swing.....	S	Lockable Fuel Cap and Service Doors.....	S
Defroster.....	S	EGR (Exhaust Gas Recirculation).....	S	Holding Valve (Arm & Boom).....	S	Lockable Tool Box.....	S
Digital Clock.....	S	Cooling Fan.....	S	Hose Burst Check Valve.....	0	Rubber Bumper Guards.....	0
Emergency Exit and Hammer.....	S	EGR Coolers.....	S	Hydraulic Filter Restriction Indicator.....	S	Work Lights (Boom and Tool Box).....	S
Face Vent.....	S	Diesel Oxidation Catalyst (DOC).....	S	Hydraulic Oil Sample Port.....	S	PARTS KIT	
Floor Mat.....	S	Drain for Fuel Tank.....	S	Long Life Hydraulic Oil (5,000 Hour).....	S	7' 10" (2.40 m) Short Arm.....	0
FOPS Head Guard (Level 2).....	0	Dual Remote Fuel Filters with Water Separators.....	S	Neutral Pump De-Stroke.....	S	9' 8" (2.94 m) Arm.....	0
FOPS Level 1 Certified.....	S	EGR Coolers.....	S	Oil Cooler.....	S	18' 8" (5.70 m) Main Boom Section.....	S
Front Guard (Mesh).....	0	Emergency Engine Stop.....	S	Power Boost.....	S	Auxiliary Pipe Brackets.....	S
Cab OPG Level 1.....	S	Engine Idle System.....	S	Power Save.....	S	Boom Work Light.....	S
Cab OPG Level 2.....	0	Engine Oil Sample Port.....	S	Pressure Reading on Monitor.....	S	Bucket Anti-Clatter Device.....	S
Front Window One-Touch Lock.....	S	Engine Protection Feature.....	S	Proportional Hydraulic Controls.....	0	Chrome Pins.....	S
Gate Lock Hydraulic Activation.....	S	External Fuel Gauge.....	S	Pump Stand-By Pressure.....	0	Easy Maintenance System (EMS).....	S
Horn.....	S	External DEF Gauge.....	S	Single Pedal Travel.....	S	HD Bucket Linkage.....	0
Hour Meter (Digital).....	S	Fan Housing.....	S	Straight Travel Circuit.....	S	Remote Lube Bank.....	S
LED Color Monitor.....	S	Fuel Cooler.....	S	AUXILIARY HYDRAULIC OPTIONS		Teardrop Pin Retention Keepers.....	S
LED Light Kit for Side Camera (1).....	0	Fuel Filter Restriction Indicator.....	S	Single-Acting Aux. w/ Pedal Activation.....	0	Bucket Anti-Clatter Device.....	S
LED Lights for Rear Camera (2).....	0	Fuel Management System.....	S	Single-Acting Aux. w/ Proportional Joysticks.....	0	Engine Manual.....	S
Magazine Storage Rack.....	S	Fuel Shut-Off Valve.....	S	Multi-Function Aux. w/ Proportional Joysticks.....	0	Engine Oil Filter.....	S
Maintenance Interval Reminders.....	S	Fuel Usage History.....	S	Multi-Function Aux. w/ in-cab pressure setting control.....	0	Filter Wrench.....	S
MP3 Auxiliary Input Jack.....	S	Fuel Usage Monitor.....	S	Thumb Aux. w/ Proportional Joysticks.....	0	Fuel Filters.....	S
On-Board Diagnostic System.....	S	Glow Plug Pre-Heat.....	S	Secondary Aux. w/ Proportional Joysticks.....	0	Grease Gun.....	S
One-Piece Right Window.....	S	Idle-Start.....	S	Combination Aux. w/ Proportional Joysticks.....	0	Green Plug Drain Hose for Engine Oil Drain.....	S
Radio Mute Switch.....	S	Intercooler.....	S	Combination Aux. w/ in-cab pressure setting control.....	0	Hydraulic Return Filter.....	S
Rain Deflector.....	0	Neutral Start.....	S	Bucket Quick Coupler Hydraulics Line.....	0	Ignition Keys.....	S
Rear View Camera.....	S	One-Touch Idle.....	S	UNDERCARRIAGE		Pilot Circuit Hydraulic Filter.....	S
Rear View Mirrors (2).....	S	Passive Emissions Regeneration.....	S	600 mm rubber shoes (23.6 in).....	0	Rearview Mirrors.....	S
RemoteCARE Support System (GPS).....	S	Radiator / Oil Cooler / Intercooler Protective Screen.....	S	600 mm shoes (23.6 in) 3-Bar Steel.....	0	Work Light for Boom.....	S
Roof Sun Shade.....	S	Radiant / Oil Cooler / Intercooler Protective Screen.....	S	700 mm shoes (27.5 in) 3-Bar Steel.....	0		
ROPS Certified Structure.....	S	Refuel Pump.....	0	800 mm shoes (31.5 in) 3-Bar Steel (LC).....	S		
Safety Glass Windows.....	S	Remote Engine Oil Drain.....	S	800 mm shoes (31.5 in) 3-Bar Steel (DZ).....	0		
SCM Air-Suspension Seat with Tilt & Heater.....	0	Remote Oil Filter.....	S				
SCM Suspension Seat.....	S	Selective Catalytic Reduction (SCR).....	S				
Seat Recline.....	S	Tropical Package.....	0				
		DEF Gauge on Monitor.....	S				
		VTG Turbocharger.....	0				

Equipment Key Standard - S Optional - 0
--