

PRELIMINARY SPECIFICATIONS **350** Long Front **X4**



Engine

Isuzu AQ-6HK1X Final Tier 4 turbocharged diesel engine with electronic control (ECM) and high pressure common-rail fuel injection, 6-cylinder, water-cooled, cooled Exhaust Gas Recirculation (EGR), Intercooler, Variable-Geometry Turbocharger (VGT), Diesel Oxidation Catalyst (DOC) and Selective Catalytic Reduction (SCR) system with Dosing Control Module and heated DEF lines and tank. Electronic fuel pump and priming, Fuel cooler, Auto-idle start, Auto warm-up, EPF engine protection, dual-stage fuel filtration, remote oil filter, engine oil sample port, green plug oil drain, double element air filter.

SAE J 1349 net horsepower.....	268 hp (200 kW) @ 1,900 rpm
Displacement.....	475 cu in (7.8 L)
Maximum Torque.....	729 lbf-ft (988 Nm) @ 1,500 rpm
Starter.....	24V-5.0kW
Alternator.....	50 amp
Battery.....	(2) 12-volt 128 amp hours



Cab and Controls

ROPS and FOPS Level 1 certified with automatic climate control A/C and heat with defroster, 7" LCD Hi-Definition color monitor with full time rear view camera display, fuel efficiency gauge, low-effort joysticks are pre-wired for auxiliary hydraulics, dual cab lights, control pattern changer, safety glass windows, sunroof with sunshade, shockless cab suspension with four fluid cab mounts, SCM High-Back reclining suspension seat, sliding 4-position tilting control consoles, AM/FM sound system with MP3 auxiliary input jack, digital clock, dome light, seat belt, coat hook, cup holder, storage compartments, floor mat, footrests, ashtray, 24V cigarette lighter, 12V outlet, travel alarm, handrails, mirrors, side-entry cab filter, spare parts kit.

Three selectable work modes, RemoteCARE Telematics GPS system, anti-theft password protection system, onboard self-diagnostic system with memory and service interval reminders, auto idling system, one-touch decelerator, auto-idle engine shutdown, auto-power boost, neutral safety start, gate-lock safety shutoff.



Hydraulic System

Open-center system, two variable-displacement electronically controlled axial-piston pumps and one gear pump for pilot controls, main control valve with one 4-spool section and one 5-spool section with auxiliary spool: stackable, Auxiliary Control System, oil cooler, Auto-Power boost, boom and arm holding valves, 6 micron return filter, firewall, hydraulic oil sample port.

Hydraulic Pumps

Pump Output.....	2 x 79.3 gpm (300 L/min)
Pilot Pump Maximum Flow.....	7.5 gpm (28.5 L/min)

Relief Valve Settings

Boom Up / Arm.....	4,970 psi (34.3 MPa)
in Power Boost.....	5,410 psi (37.3 MPa)
Boom Down.....	2,990 psi (20.6 MPa)
Bucket.....	3,830 psi (26.4 MPa)
Swing Circuit.....	4,410 psi (30.4 MPa)
Travel Circuit.....	4,970 psi (34.3 MPa)

Hydraulic Cylinders

	number of cylinders - bore x stroke
Boom.....	2 - 5.7" x 58.9" (145 mm x 1,495 mm)
Arm.....	1 - 5.9" x 68.4" (150 mm x 1,737 mm)
Bucket.....	4.7" x 39.8" (120 mm x 1,010 mm)



Swing

Planetary reduction powered by axial-piston motor, Internal ring gear with grease cavity for swing pinion, Swing bearing is single-row, shear type ball bearing, Mechanical disc swing brake, Free swing.

Swing Speed.....	9.7 rpm
Tail Swing.....	11' 8" (3.55 m)
Swing Torque.....	82,600 lbf-ft (112 kNm)



Undercarriage

X Pattern carbody with 16' 4" (4.98 m) LC long undercarriage by 8' 6" (2.60 m) track gauge, Sealed and strutted track chain with track guide, Sealed rollers and idlers, Two-speed independent hydrostatic travel with compact planetary final drive, Disc type brakes, Adjustable track tension, Carbody belly pan.

Carrier Rollers.....	2 per Side
Track Rollers.....	8 per Side
Track Link Pitch.....	8.5" (216 mm)
Shoes.....	48 per Side
Shoe Width.....	31.5" (800 mm)
Ground Pressure.....	8.12 psi (0.056 MPa)



Travel System

Two-speed independent hydrostatic travel with compact axial-piston motors, Hydraulic motor powered output shaft coupled to a planetary reduction drive and track sprocket, All hydraulic components mounted within the width of side frame, Automatic downshift for high torque to overcome obstacles, Spring-applied hydraulic release parking brake built into each motor, Travel motors equipped with counterbalance valve to prevent over-speeding down an incline, Single-pedal straight line travel.

Travel Speeds.....	2.1 - 3.5 mph (3.4 - 5.6 km/h)
Drawbar Pull.....	58,200 lbf (259 kN)
Gradeability.....	70% (35°)



Attachment

Boom.....	35' 9" (10.78 m)
Available Arm.....	Digging Force
• 25' 2" (7.63 m).....	15,290 lbf (68 kN)
with Auto Power Boost.....	16,640 lbf (74 kN)
• Bucket Digging Force.....	29,000 lbf (129 kN)



Lubricant & Coolant Capacity

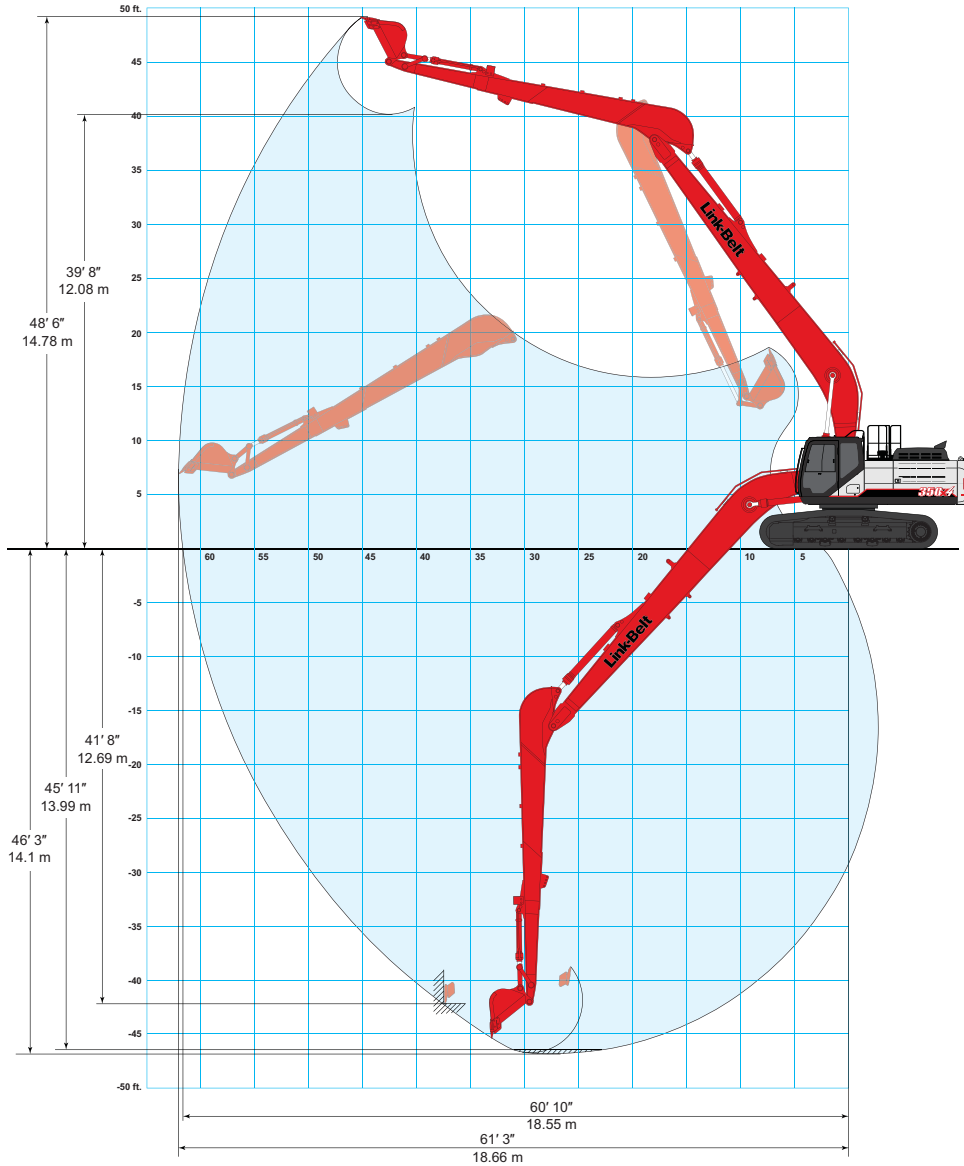
Fuel Tank.....	153 Gallons (580 Liters)
Hydraulic System.....	92 Gallons (350 Liters)
Hydraulic Tank.....	46 Gallons (175 Liters)
Final Drive (per side).....	2.5 Gallons (9.5 Liters)
Swing Drive.....	1.3 Gallons (5 Liters)
Engine Oil.....	12.7 Gallons (48 Liters)
DEF Tank.....	40 Gallons (152 Liters)
Coolant System.....	10 Gallons (38 Liters)



Operating Weight

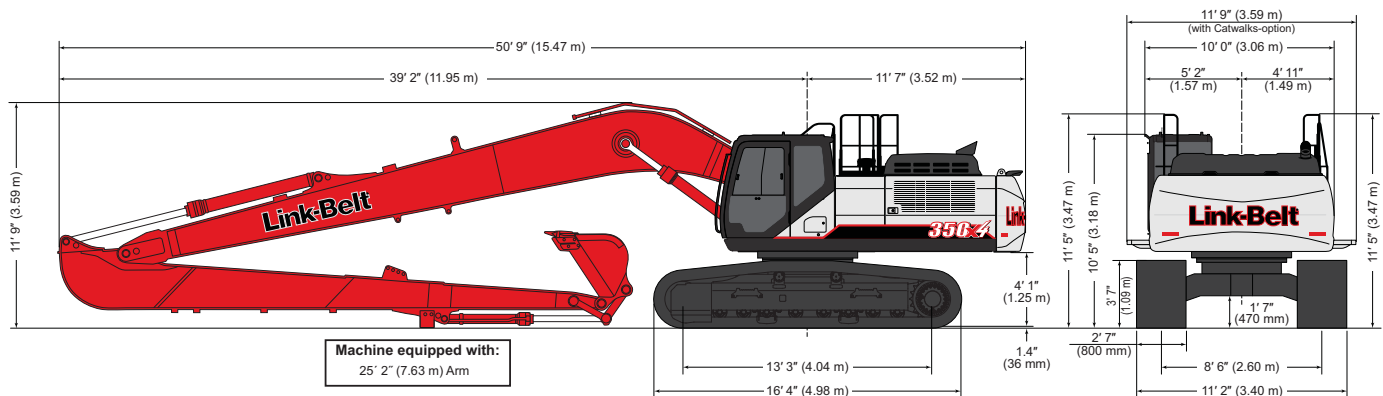
Working weight with 31.5" (800 mm) shoes, 35' 9" (10.78 m) boom, 25' 2" (7.63 m) arm, 1,460 lb. (660 kg) bucket, 19,400 lb. (8 800 kg) counterweight.....	87 634 lbs. (39,750 kg)
---	-------------------------

WORKING RANGE



Machine Equipped with 35' 9" (10.78 m) Boom	Arm 25' 2" (7.63 m)
Maximum reach	61' 3" (18.66 m)
Maximum reach @ ground level	60' 10" (18.55 m)
Maximum dig depth	46' 3" (14.1 m)
Maximum dig height	48' 6" (14.78 m)
Maximum dump height	39' 8" (12.08 m)
Digging depth 8' (2.44 m) level bottom	45' 11" (13.99 m)
Bucket rotation	177°
Maximum vertical wall depth	41' 8" (12.69 m)

TRAVEL DIMENSIONS



Machine equipped with:
25' 2" (7.63 m) Arm

LIFT CAPACITIES

Radius of Load																	
25' 2" (7.63 m) Arm with 35' 9" (10.78 m) Boom and 1,460 lb. (662 kg) Bucket with Power-Boost Applied																	
End	Side	5' 0" (1.5 m)		10' 0" (3.0 m)		15' 0" (4.5 m)		20' 0" (6.0 m)		25' 0" (7.5 m)		30' 0" (9.0 m)		35' 0" (10.5 m)			
		End	Side	End	Side	End	Side	End	Side	End	Side	End	Side	End	Side		
15' 0" (4.5 m)	lbs													8,450*	8,450*	7,250*	7,250*
	kg													3,910*	3,910*	3,360*	3,360*
+10' 0" (3.0 m)	lbs					21,500*	21,500*	15,850*	15,850*	11,850*	11,850*	9,500*	9,500*	8,000*	8,000*	8,000*	8,000*
	kg					8,710*	8,710*	7,400*	7,400*	5,520*	5,520*	4,400*	4,400*	3,700*	3,700*	3,700*	3,700*
+5' 0" (1.5 m)	lbs					9,600*	9,600*	18,400*	18,400*	13,550*	13,550*	10,650*	10,650*	8,750*	8,750*	8,500*	8,500*
	kg					4,080*	4,080*	8,540*	8,540*	6,290*	6,290*	4,940*	4,940*	4,050*	4,050*	3,940*	3,940*
Ground Line	lbs			3,300*	3,300*	8,200*	8,200*	18,500*	18,500*	16,800*	16,800*	12,450*	12,450*	11,600*	9,750*	10,300*	7,750*
	kg			1,460*	1,460*	3,570*	3,570*	7,960*	7,960*	7,780*	7,780*	6,850*	6,850*	5,370*	4,510*	4,700*	3,600*
-5' 0" (1.5 m)	lbs	4,650*	4,650*	5,400*	5,400*	8,950*	8,950*	16,400*	16,400*	15,750*	15,550*	11,550*	12,250*	9,000*	10,000*	10,000*	7,150*
	kg	2,110*	2,110*	2,400*	2,400*	3,950*	3,950*	7,140*	7,140*	7,190*	7,190*	5,370*	5,670*	4,180*	4,620*	4,620*	3,340*
-10' 0" (3.0 m)	lbs	6,500*	6,500*	7,400*	7,400*	10,500*	10,500*	16,700*	16,700*	15,300*	15,850*	11,100*	12,600*	8,550*	10,300*	10,300*	6,750*
	kg	2,920*	2,920*	3,310*	3,310*	4,650*	4,650*	7,330*	7,330*	7,070*	7,330*	5,150*	5,830*	3,970*	4,770*	4,770*	3,150*
-15' 0" (4.5 m)	lbs	8,450*	8,450*	9,650*	9,650*	12,450*	12,450*	18,200*	18,200*	15,250*	15,750*	10,900*	12,650*	8,300*	10,400*	10,400*	6,550*
	kg	3,790*	3,790*	4,290*	4,290*	5,530*	5,530*	8,000*	8,000*	7,080*	7,290*	5,060*	5,860*	3,850*	4,830*	4,830*	3,040*
-20' 0" (6.0 m)	lbs	10,500*	10,500*	12,000*	12,000*	14,850*	14,850*	19,500*	19,500*	15,400*	15,300*	10,900*	12,400*	8,200*	10,300*	10,300*	6,450*
	kg	4,710*	4,710*	5,340*	5,340*	6,580*	6,580*	9,010*	9,010*	7,160*	7,090*	5,060*	5,750*	3,820*	4,760*	4,760*	3,000*
-25' 0" (7.5 m)	lbs	12,600*	12,600*	14,500*	14,500*	17,750*	17,750*	18,300*	18,300*	15,750*	14,550*	11,100*	11,850*	8,300*	9,850*	9,850*	6,500*
	kg	5,630*	5,630*	6,450*	6,450*	7,860*	7,860*	8,480*	8,480*	7,310*	6,740*	5,140*	5,490*	3,860*	4,570*	4,570*	3,020*
-30' 0" (9.0 m)	lbs			17,250*	17,250*	20,750*	20,750*	16,500*	16,500*	16,200*	13,250*	11,450*	10,800*	8,550*	9,000*	9,000*	6,700*
	kg			7,660*	7,660*	9,320*	9,320*	7,690*	7,690*	7,520*	6,180*	5,300*	5,050*	3,970*	4,210*	4,210*	3,100*
-35' 0" (10.5 m)	lbs					17,600*	17,600*	14,000*	14,000*	14,000*	11,350*	11,350*	9,250*	8,950*	7,600*	7,600*	7,050*
	kg					8,290*	8,290*	6,590*	6,590*	6,590*	5,340*	5,340*	4,360*	4,150*	3,610*	3,610*	3,250*
-40' 0" (12.0 m)	lbs							10,400*	10,400*	8,450*	8,450*	6,750*	6,750*	6,750*	6,750*	6,750*	6,750*
	kg							5,030*	5,030*	4,100*	4,100*	3,300*	3,300*	3,300*	3,300*	3,300*	3,300*

Radius of Load														
25' 2" (7.63 m) Arm with 35' 9" (10.78 m) Boom and 1,460 lb. (662 kg) Bucket with Power-Boost Applied														
End	Side	40' 0" (12.0 m)		45' 0" (13.5 m)		50' 0" (15.0 m)		55' 0" (16.5 m)		60' 0" (18.0 m)		Cap at Max. Reach		
		End	Side	End	Side	End	Side	End	Side	End	Side	End	Side	
+40' 0" (12.0 m)	lbs												800*	800*
	kg												350*	350*
+35' 0" (10.5 m)	lbs			3,200*	3,200*	1,900*	1,900*						700*	700*
	kg			1,560*	1,560*	1,050*	1,050*						330*	330*
+30' 0" (9.0 m)	lbs			4,000*	4,000*	2,900*	2,900*	750*	750*				700*	700*
	kg			1,910*	1,910*	1,440*	1,440*	620*	620*				320*	320*
+25' 0" (7.5 m)	lbs	5,500*	5,500*	4,800*	4,800*	3,650*	3,650*	1,900*	1,900*				700*	700*
	kg	2,540*	2,540*	2,280*	2,280*	1,760*	1,760*	1,070*	1,070*				320*	320*
+20' 0" (6.0 m)	lbs	5,950*	5,950*	5,450*	5,450*	4,350*	4,350*	2,700*	2,700*				750*	750*
	kg	2,740*	2,740*	2,500*	2,500*	2,090*	2,090*	1,420*	1,420*				340*	340*
+15' 0" (4.5 m)	lbs	6,400*	6,400*	5,750*	5,750*	5,150*	4,950*	3,400*	3,400*				850*	850*
	kg	2,960*	2,960*	2,660*	2,660*	2,420*	2,320*	1,720*	1,720*				380*	380*
+10' 0" (3.0 m)	lbs	6,950*	6,950*	6,150*	5,850*	5,550*	4,600*	4,000*	3,600*	950*	950*		950*	950*
	kg	3,200*	3,200*	2,830*	2,730*	2,550*	2,170*	2,010*	1,710*	760*	760*		420*	420*
+5' 0" (1.5 m)	lbs	7,450*	6,750*	6,500*	5,400*	5,800*	4,300*	4,500*	3,400*	1,150*	1,150*		1,050*	1,050*
	kg	3,440*	3,150*	3,000*	2,530*	2,670*	2,020*	2,260*	1,610*	860*	860*		480*	480*
Ground Line	lbs	7,950*	6,200*	6,850*	5,000*	6,000*	4,000*	4,850*	3,200*				1,250*	1,250*
	kg	3,670*	2,900*	3,160*	2,340*	2,780*	1,890*	2,460*	1,510*				560*	560*
-5' 0" (1.5 m)	lbs	8,350*	5,800*	7,150*	4,650*	6,200*	3,750*	4,900*	3,050*				1,500*	1,500*
	kg	3,870*	2,700*	3,310*	2,190*	2,880*	1,770*	2,530*	1,430*				670*	670*
-10' 0" (3.0 m)	lbs	8,650*	5,450*	7,350*	4,400*	6,350*	3,600*	4,350*	2,900*				1,800*	1,800*
	kg	4,000*	2,550*	3,410*	2,070*	2,940*	1,680*	2,370*	1,370*				800*	800*
-15' 0" (4.5 m)	lbs	8,750*	5,250*	7,400*	4,250*	6,350*	3,500*	3,000*	2,850*				2,200*	2,200*
	kg	4,050*	2,450*	3,440*	1,990*	2,950*	1,630*	1,860*	1,340*				980*	980*
-20' 0" (6.0 m)	lbs	8,600*	5,150*	7,300*	4,200*	6,150*	3,450*						2,750*	2,750*
	kg	4,000*	2,410*	3,390*	1,960*	2,880*	1,610*						1,230*	1,230*
-25' 0" (7.5 m)	lbs	8,250*	5,200*	6,900*	4,250*	3,900*	3,550*						3,550*	3,500*
	kg	3,840*	2,420*	3,230*	1,980*	2,470*	1,650*						1,570*	1,570*
-30' 0" (9.0 m)	lbs	7,450*	5,350*	6,100*	4,450*								4,800*	4,250*
	kg	3,510*	2,490*	2,890*	2,050*								2,100*	1,880*
-35' 0" (10.5 m)	lbs	6,100*	5,700*										5,650*	5,400*
	kg	2,940*	2,630*										2,570*	2,380*
-40' 0" (12.0 m)	lbs												5,300*	5,300*
	kg												2,430*	2,430*

Notes: Excavator lifting capacities

- Lifting capacities shown should not be exceeded. Weight of all lifting accessories must be deducted from the above lifting capacities.
- Lifting capacities are based on machine standing on firm, uniform supporting surface. User must make allowances for job conditions such as soft or uneven ground.
- Lifting capacities shown do not exceed 75% of minimum tipping loads or 87% of hydraulic capacities. **Capacities marked with an asterisk (*) are limited by hydraulic capacities.**
- Least stable position is over the side.
- Operator should be fully acquainted with the Operator's Manual & Operating Safety Booklet, furnished by LBX before operating the machine.
- Capacities apply only to the machine as originally manufactured and normally equipped by LBX Company, LLC.
- Lift capacity ratings are based on ISO 10567, "Earthmoving Machinery - Hydraulic Excavators - Lift Capacity."

STANDARD & OPTIONAL EQUIPMENT

CAB	Selectable Monitor Languages.....S	HYDRAULICS	Center Track Guide (triple).....O
12V Power Outlet.....S	Small Storage.....S	Arm Regeneration.....S	Lashing Points (Tie-Downs).....S
230° WAVES™ Camera System.....O	Travel Alarm with Cancel Switch.....S	Arm Speed Assistance (2 Pump Flow)...S	Sealed Link Chain.....S
AM/FM Sound System.....S	Trip Meter (Digital).....S	Attachment Cushion Valve.....S	Steps.....S
Anti-Theft Device.....S	Wiper & Washer.....S	Auto Swing Priority.....S	Strutted Track Chain.....S
Auxiliary Switches on Control Lever.....S	Wiper Switch on RH Joystick.....S	Auxiliary Flow Control.....S	X-Pattern Carbody.....S
Cab Filter - External.....S	ENGINE	Auxiliary Tool Settings (Memory).....S	UPPERSTRUCTURE
Cab Handrails.....S	50A Alternator.....S	Auxiliary Valve.....S	Belly Pans.....S
Cab Interior Light.....S	85A Alternator.....O	Boom Regeneration.....S	Center Cover (Over Main CV).....S
Cab ISO-Mounts.....S	Air Filter (Double Element).....S	Boom Speed Assistance (2 Pump Flow)...S	Fuel Tank Belly Pan.....S
Cab Light (2 LED).....O	Air Filter Restriction Indicator.....S	Bucket Curl Assist.....S	Hand Rail (RH access).....S
Cab Light (2).....S	Auto Warm-Up System.....S	Control Levers Pre-Wired for Auxiliary Hyd...S	ISO Guard Rails.....S
Cab Sun Screen (rear).....O	Auto-Idle.....S	Pattern Control Valve (2 way).....S	Lockable Fuel Cap and Service Doors.....S
Clear Roof Window.....S	Auto-Idle Engine Shutdown.....S	Electronically Controlled Hydraulic Pumps...S	Lockable Tool Box.....S
Climate Control A/C and Heater.....S	Battery Disconnect Switch.....S	Fire Wall.....S	Rubber Bumper Guards.....O
Cup Holder.....S	EGR (Exhaust Gas Recirculation).....S	Free Swing.....S	Work Lights (Boom and Tool Box).....S
Defroster.....S	Cooling Fan.....S	Holding Valve (Arm & Boom).....S	
Digital Clock.....S	Diesel Oxidation Catalyst (DOC).....S	Hose Burst Check Valve.....O	ATTACHMENT
Emergency Exit and Hammer.....S	Drain for Fuel Tank.....S	Hydraulic Filter Restriction Indicator.....S	Auxiliary Boom Pipe Brackets.....S
Face Vent.....S	Dual Remote Fuel Filters with Water Separators.....S	Hydraulic Oil Sample Port.....S	Boom Work Light.....S
Floor Mat.....S	EGR Coolers.....S	Long Life Hydraulic Oil (5,000 Hour).....S	Bucket Anti-Clatter Device.....S
FOPS Head Guard (Level 2).....O	Emergency Engine Stop.....S	Neutral Pump De-Stroke.....S	Chrome Pins.....S
FOPS Level 1 Certified.....S	Engine Idle System.....S	Oil Cooler.....S	Easy Maintenance System (EMS).....S
Front Guard (Mesh).....O	Engine Oil Sample Port.....S	Power Boost.....S	HD Bucket Linkage.....O
Cab OPG Level 1.....S	Engine Protection Feature.....S	Power Save.....S	Remote Lube Bank.....S
Cab OPG Level 2.....O	External Fuel Gauge.....S	Pressure Reading on Monitor.....S	Teardrop Pin Retention Keepers.....S
Front Window One-Touch Lock.....S	External DEF Gauge.....S	Proportional Hydraulic Controls.....O	
Gate Lock Hydraulic Activation.....S	Fan Housing.....S	Pump Stand-By Pressure.....S	PARTS KIT
Horn.....S	Fuel Cooler.....S	Single Pedal Travel.....S	Bucket Anti-Clatter Device.....S
Hour Meter (Digital).....S	Fuel Filter Restriction Indicator.....S	Straight Travel Circuit.....S	Engine Manual.....S
LED Color Monitor.....S	Fuel Management System.....S	AUXILIARY HYDRAULIC OPTIONS	Engine Oil Filter.....S
LED Light Kit for Side Camera (1).....O	Fuel Shut-Off Valve.....S	Single-Acting Aux. w/ Pedal Activation.....O	Filter Wrench.....S
LED Lights for Rear Camera (2).....O	Fuel Usage History.....S	Single-Acting Aux. w/ Proportional Joysticks...O	Fuel Filters.....S
Magazine Storage Rack.....S	Fuel Usage Monitor.....S	Multi-Function Aux. w/ Proportional Joysticks...O	Grease Gun.....S
Maintenance Interval Reminders.....S	Glow Plug Pre-Heat.....S	Multi-Function Aux. w/ in-cab pressure setting control.....O	Green Plug Drain Hose for Engine Oil Drain...S
MP3 Auxiliary Input Jack.....S	Idle-Start.....S	Double-Acting Aux. w/ Proportional Joysticks...O	Hydraulic Return Filter.....S
On-Board Diagnostic System.....S	Intercooler.....S	Secondary Aux. w/ Proportional Joysticks...O	Ignition Keys.....S
One-Piece Right Window.....S	Neutral Start.....S	Combination Aux. w/ Proportional Joysticks...O	Pilot Circuit Hydraulic Filter.....S
Radio Mute Switch.....S	One-Touch Idle.....S	Combination Aux. w/ in-cab pressure setting control.....O	Rearview Mirrors.....S
Rain Deflector.....O	Passive Emissions Regeneration.....S	UNDERCARRIAGE	Work Light for Boom.....S
Rear View Camera.....S	Radiator / Oil Cooler / Intercooler Protective Screen.....S	600 mm (23.5 in) 3-Bar Steel Grousers...O	
Rear View Mirrors (2).....S	Refuel Pump.....O	700 mm (27.5 in) 3-Bar Steel Grousers...O	
RemoteCARE Support System (GPS).....S	Remote Engine Oil Drain.....S	800 mm (31.5 in) 3-Bar Steel Grousers...S	
Roof Sun Shade.....S	Remote Oil Filter.....S	850 mm (33.5 in) 3-Bar Steel Grousers...O	
ROPS Certified Structure.....S	Selective Catalytic Reduction (SCR).....S	Carbody Belly Pan (Swivel Guarding).....S	
Safety Glass Windows.....S	Tropical Package.....O	Center Track Guide (single).....S	
SCM Air-Suspension Seat with Tilt & Heater...O	DEF Gauge on Monitor.....S		
SCM Suspension Seat.....S	VGT Turbocharger.....S		
Seat Recline.....S			

Equipment Key
Standard - S Optional - O

BUCKET SIZES

Bucket Type	SAE Heaped Capacity		Width Outside Lip		Bucket Weight		Number of Teeth	Arm 25' 2" 7.63 m
	(yd³)	(m³)	(in)	(mm)	(lbs)	(kg)		
STDP Standard duty plate	0.65	0.50	24	610	1151	522	4	H
	0.87	0.67	30	762	1265	574	4	H
	1.09	0.83	36	914	1433	650	5	M
	1.31	1.00	42	1067	1570	712	5	L
DITCH	1.08	0.83	60	1524	1470	667	0	M
	1.2	0.92	66	1676	1557	706	0	L
	1.33	1.01	72	1829	1596	723	0	L
	1.4	1.07	64	1626	1651	749	0	L

Approval Code For Arm/Bucket Combinations	
H.....	Heavy material (up to 3,370 lbs./yd³)
M.....	Medium material (up to 2,700 lbs./yd³)
L.....	Light material (up to 2,020 lbs./yd³)
N/A.....	Not applicable

Litho in USA 2/17 #LBX2330

LBX® and Link-Belt® are registered trademarks. Copyright 2017. All rights reserved. We are constantly improving our products and therefore reserve the right to change designs and specifications.